

## ELECTRIC FURNITURE LOCK MAGNETIC DOOR SENSOR

This lock type combines compact design with high resistance against break in attempts. External magnetic door sensor, manipulation proofed, is included. **Lock latch are not included** and can be customized for size, shape and material according to project requirements. A very compact lock for versatile mounting positions.

**Article number:**  
**MI-MMV1-0923-AIR**



### Technical Data

<b>Compressive Tensile Strength</b>	1000 Kg *
<b>Cable Length</b>	3 m
<b>Connector</b>	6 pin Molex Nano-fit Socket
<b>Bolt</b>	Steel Bolt 8 mm
<b>Operating Voltage</b>	12 V DC
<b>Locking Cycles</b>	1 000 000
<b>Current Consumption</b>	420 mA
<b>Power Supply requirement for 8 locks</b>	40 W
<b>Temperature Range</b>	0 °C to 50 °C
<b>Dimensions (LxWxH)</b>	47 x 22 x 20 (mm)
<b>Door Latch Dimensions (LxWxH)</b>	N.A.

### Functions

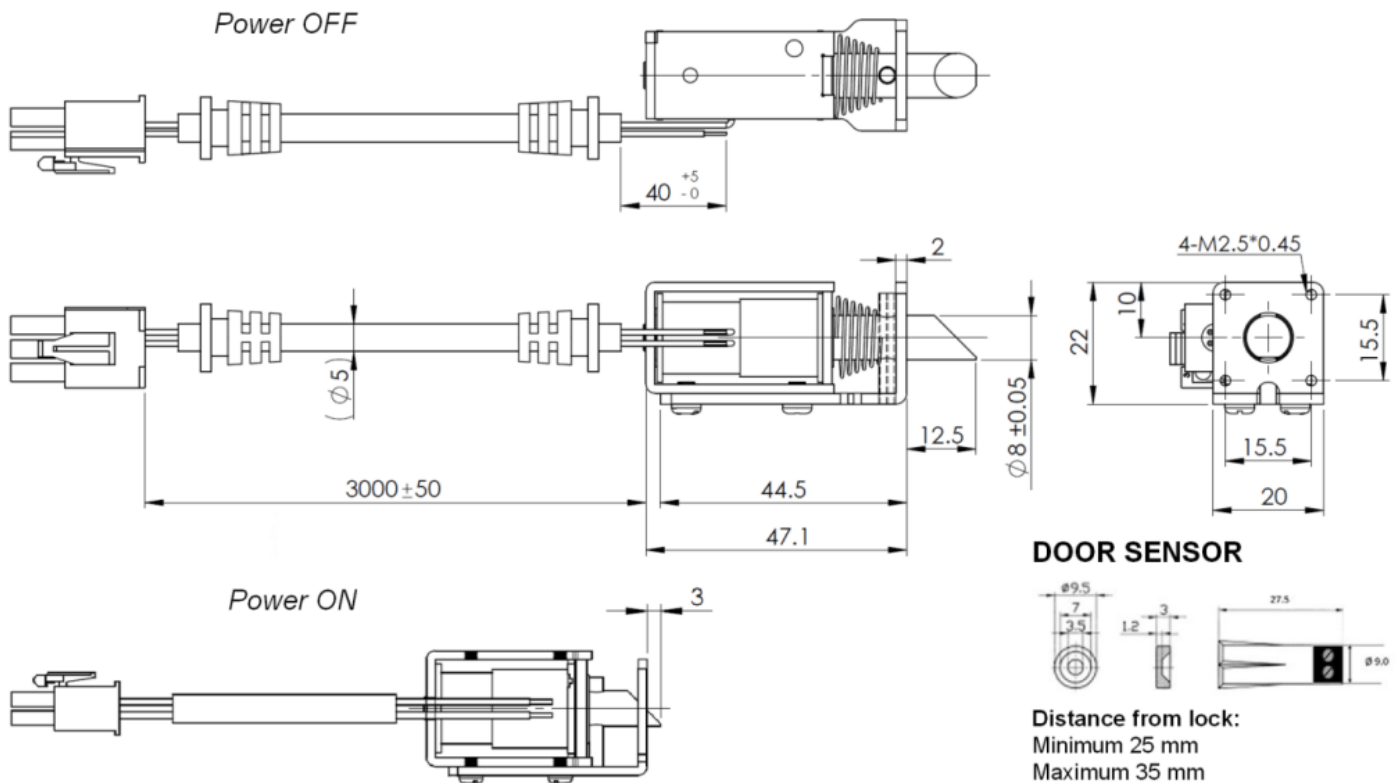
<b>Door Open Sensor</b>	YES (External Security Reed Sensor)
<b>Push-to-Open Capability</b>	YES
<b>Auto-Eject</b>	NO
<b>Mechanical Emergency Opening</b>	NO
<b>Permanent ON Capability</b>	YES

\* Perfect mounting situation on high performance steel frames, mounting with steel bolts. For best security keep door gaps as small as possible, max. 3 mm recommended! Applicable on wooden furniture - strength of lock will be higher than that of the wood.

Locking function MUST be tested in a sample furniture before final production regarding manipulation security and tolerance for misalignment - to ensure safe and secure locking!

Lock Installation MUST be tested while assembly before the door/drawer is closed the first time - to avoid blocking access into a cabinet!

## Dimensions



### ATTENTION!

### FOLLOW THE INSTALLATION RECOMMENDATIONS CAREFULLY!

**LOCK SHOULD BE INSTALLED IN SUCH A WAY THAT IT CAN BE DISMANTLED FROM THE OUTSIDE IN CASE OF DEFECT WHILE THE DOOR IS LOCKED. SO THAT ACCESS TO THE CABINET CAN BE MAINTAINED AT ALL TIMES.**

Self-closing hinges and holding magnets **MUST** be used - **NO** opening tension on doors and drawers!

Mounting latch and locking latch **NOT INCLUDED**.

Preferred mounting position: horizontal!

Recommended Distance between lock and sensor: 35 mm

Test lock function on a prototype before going into production!

## Examples and Recommendations

Contact:  
service@memo.co.at  
Tel: +356 2149 2262

**Electric Lock MMV0923**

**1** Application only together with:  
Magnet holder\*  
or  
Spring hinges

**2** Lock Installation Example

**3** Installation of Angle Plate:

**4** Connect lock to test unit

**5** Push button:  
Check Lock activation!

**6** Close door only if lock activation was OK:  
Check Door Sensor!\*

**7** Label cable according to plan:  
Door Number  
Show Case

**8** Check free opening And closing:  
Adjust Angle Plate Position  
Adjust Hinges!

Version: 1.5  
Date: 15.04.2019  
Author: KC

\* applicable to Level 1 Locks only

Copyright © 2017 MEMO International Ltd., F-17 Mosta Technopark, Mosta 3000, MALTA  
www.memolocks.com, Telephone: +356 21492262, E-mail: support@memo.co.at