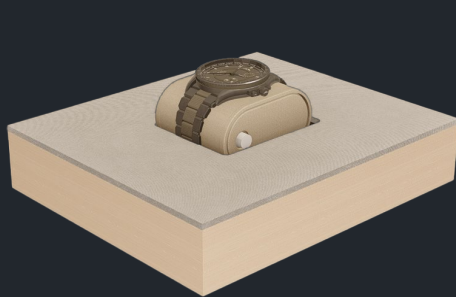


OPEN WATCH DISPLAYS (OWD)

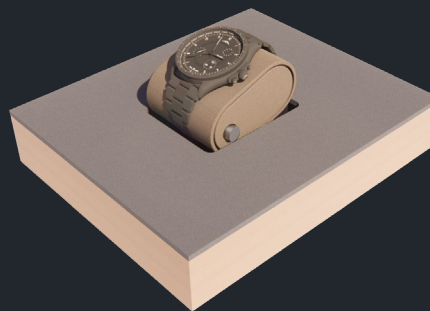
The NEW Way of Watch Presentation



Scan me !



FLAT



ANGLED



VERTICAL

Performance

Open Display Locks secure watches on the presentation cushion **DIRECTLY**, thus allowing to present watches open, no glass is putting a cloud over the view of your customers.

OPEN WATCH DISPLAYS makes surprising new styles of interior designs possible – attracting customers with completely new experiences.

MEMO solutions can be used from **VERTICAL** to **HORIZONTAL** positions and all **ANGLES** in-between.



Scan me !

Technical Data

Compressive tensile strength*	250 kg
Cable Length	100 cm
Connector	AIR2ONE Controller and DEM Controller
Bolt	Steel Bolt 10 mm
Operation Voltage	12 V DC
Locking Cycles	50000 *
Current Consumption	0,50 A
Power Supply requirements for 8 locks	12 VDC / 500 mA
Temperature Range	0 to 50° C

Features

DOUBLE FLIP PIN	YES
FIXED PIN	NO

Upholstery

Recommended fabric thickness	0,5 mm / 0,8 mm max.
Recommended foam thickness	5 mm max.

***Lock installed as per recommendations and using high performance steel frames together with steel bolts.**

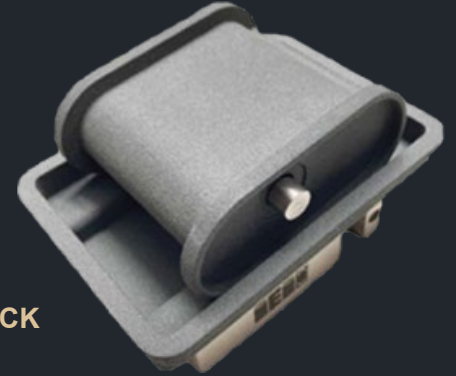
Note: Cushion Base must be upholstered individually, the bottom part of the cushion base must be covered only by one layer of fabric, no additional foam allowed !

OPEN WATCH DISPLAY (OWD) SET

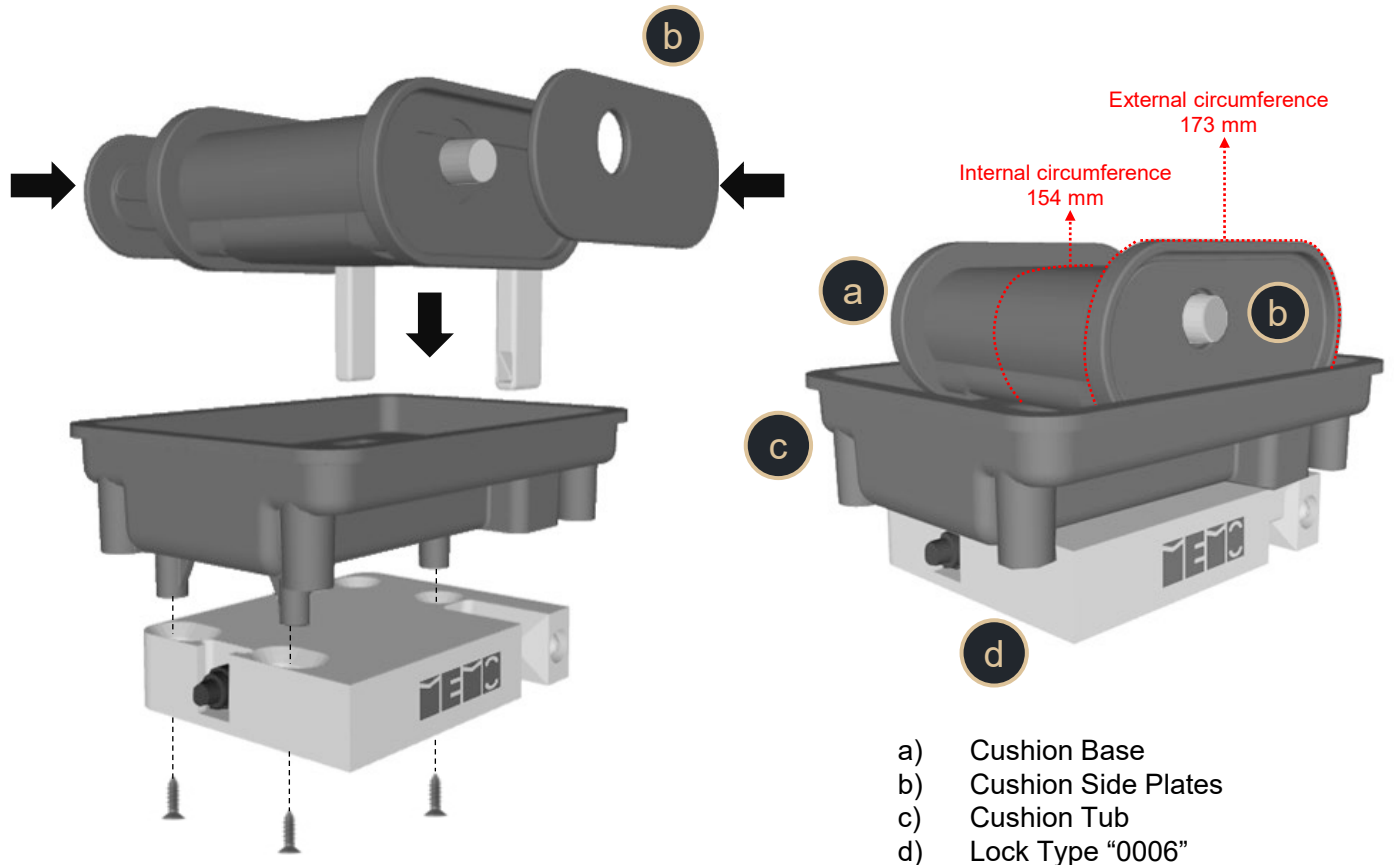
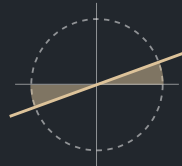
- FLAT
- DOUBLE FLIP PIN

Article number: MI-MMV1-0020-12AIR

OWD SET with PARALLEL cushion, for ANGLED INSTALLATIONS.
Cushion BASE with Dual Flip PIN + Cushion Tub + HIGH SECURITY LOCK 0006 for connection with AIR2-Line Controllers, Color grey - paintable, Cushion Base prepared for upholstery – upholstery NOT included!

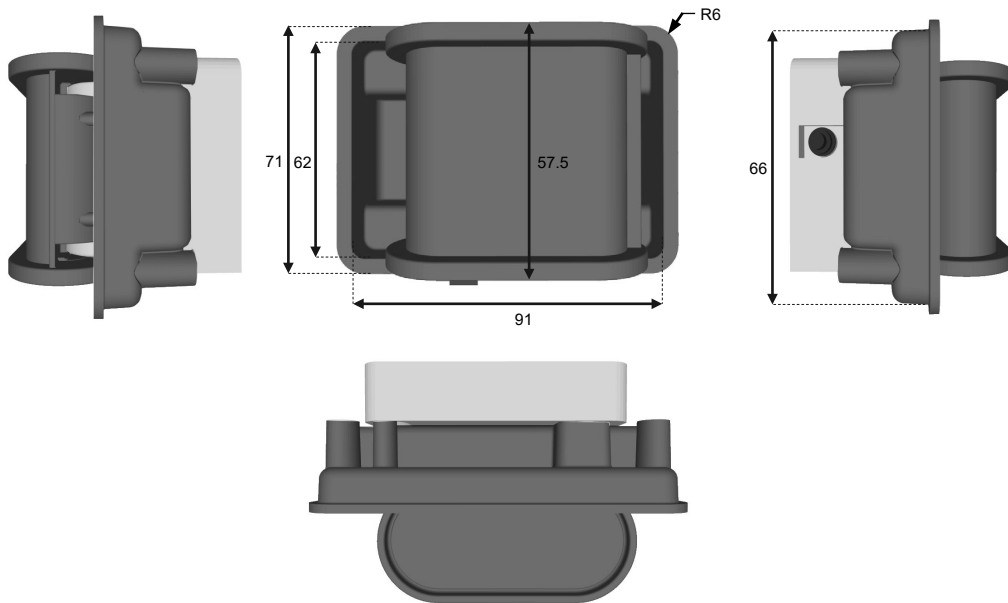
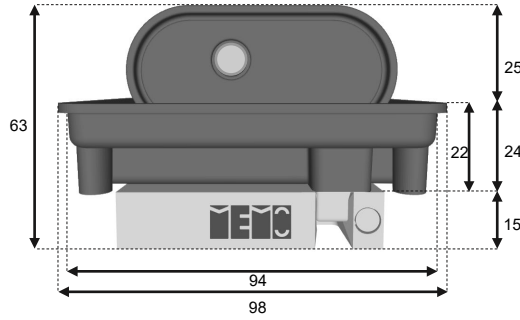


Installation Angle
0° - 20°



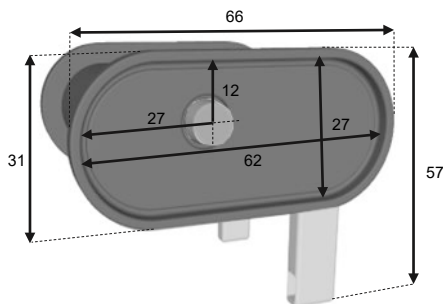
Note: Cushion Base must be upholstered individually, the bottom part of the cushion base must be covered only by one layer of fabric, no additional foam allowed !

OWD SET - FLAT - Dimensions

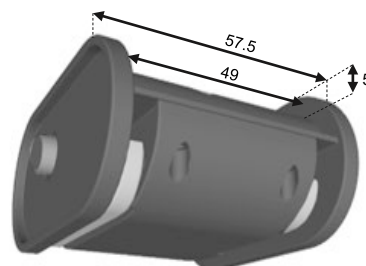


Cushion Base

Opened Position



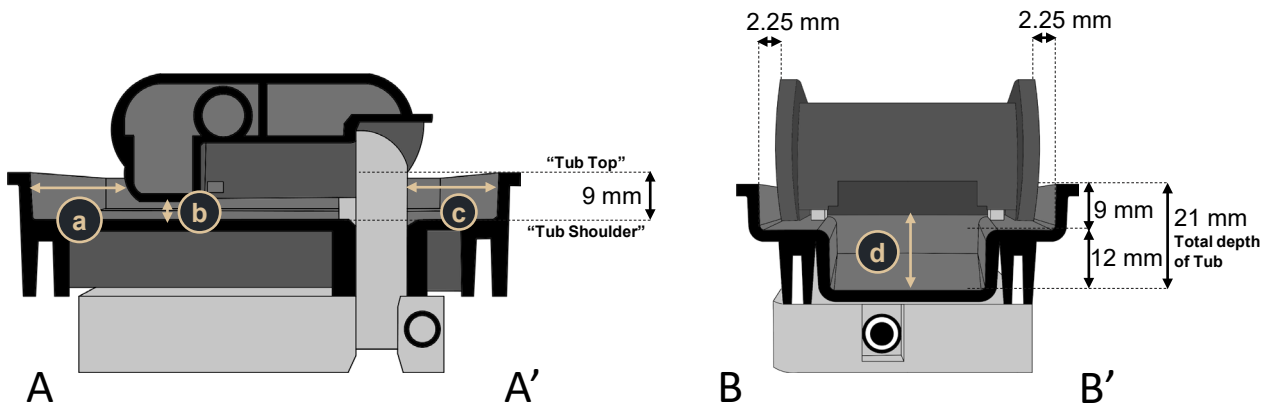
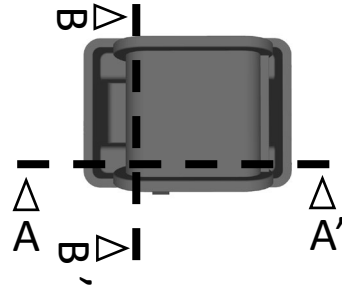
Closed Position



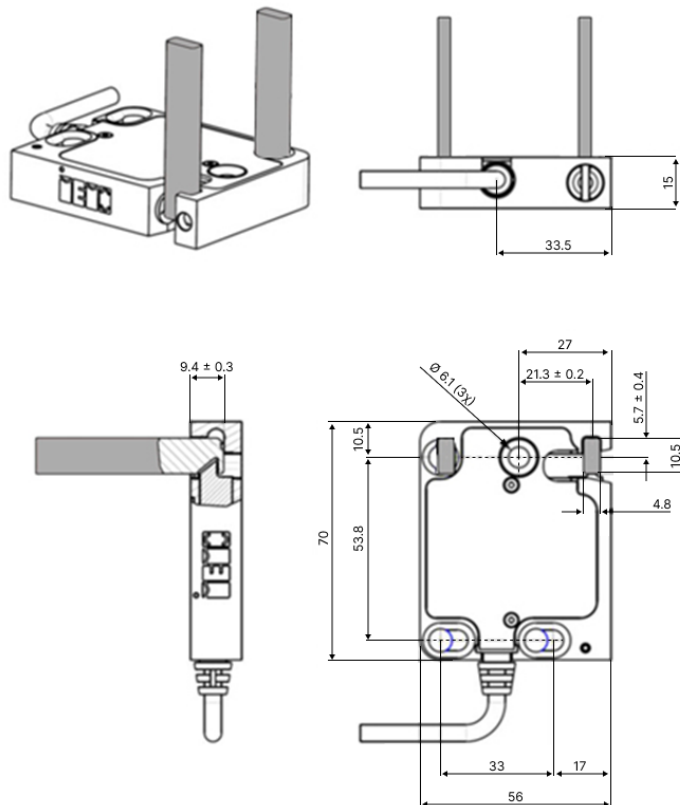
Measurements
expressed in mm
Tolerance ± 0.5 mm

OWD SET - FLAT - Dimensions

- a) 18 mm – front space for watch wrist band
- b) 3 mm – 0,8mm space for upholstering material + free space
- c) 17 mm – back space for watch wrist band
- d) 16 mm – below space for watch wrist band

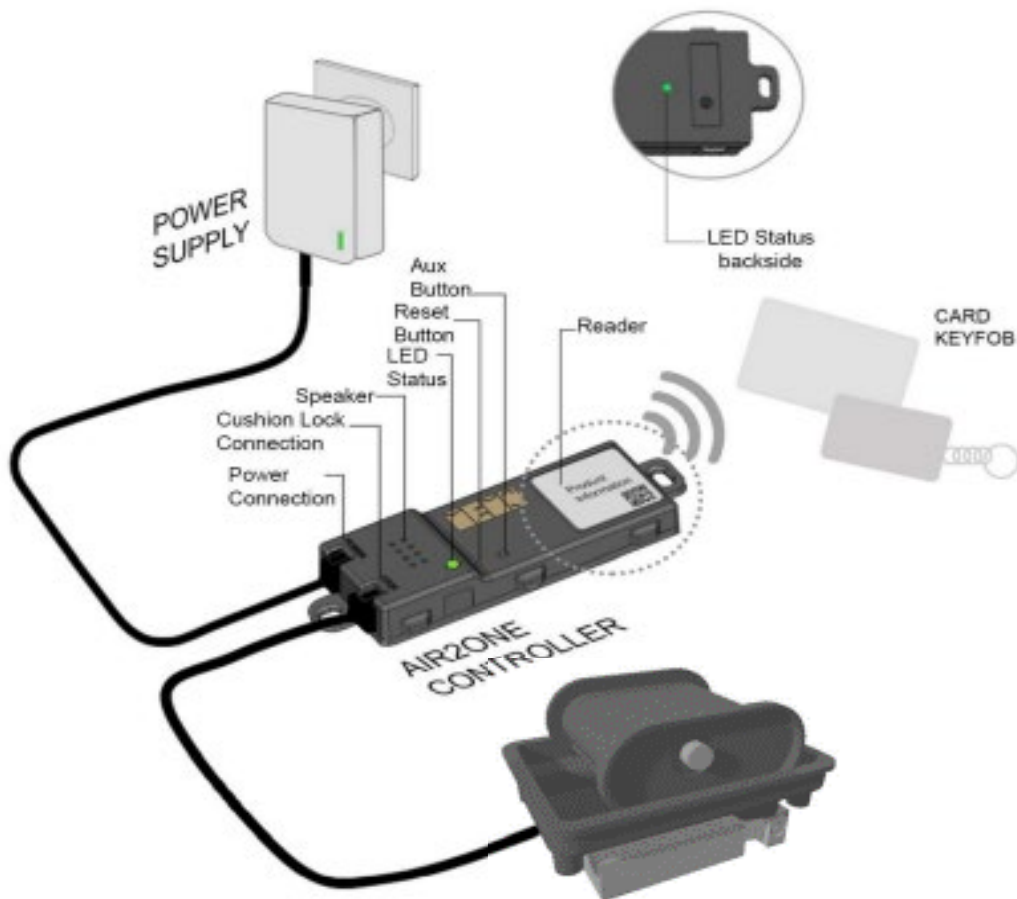


MEMO Lock Type 0006



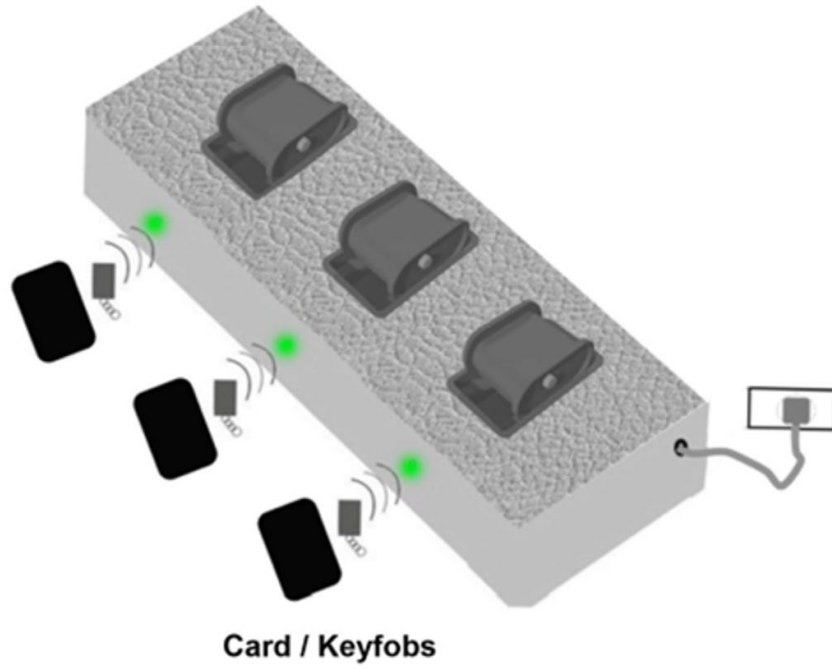
Measurements expressed in mm
Tolerance ± 0.5 mm

OWD SET - FLAT - Connections

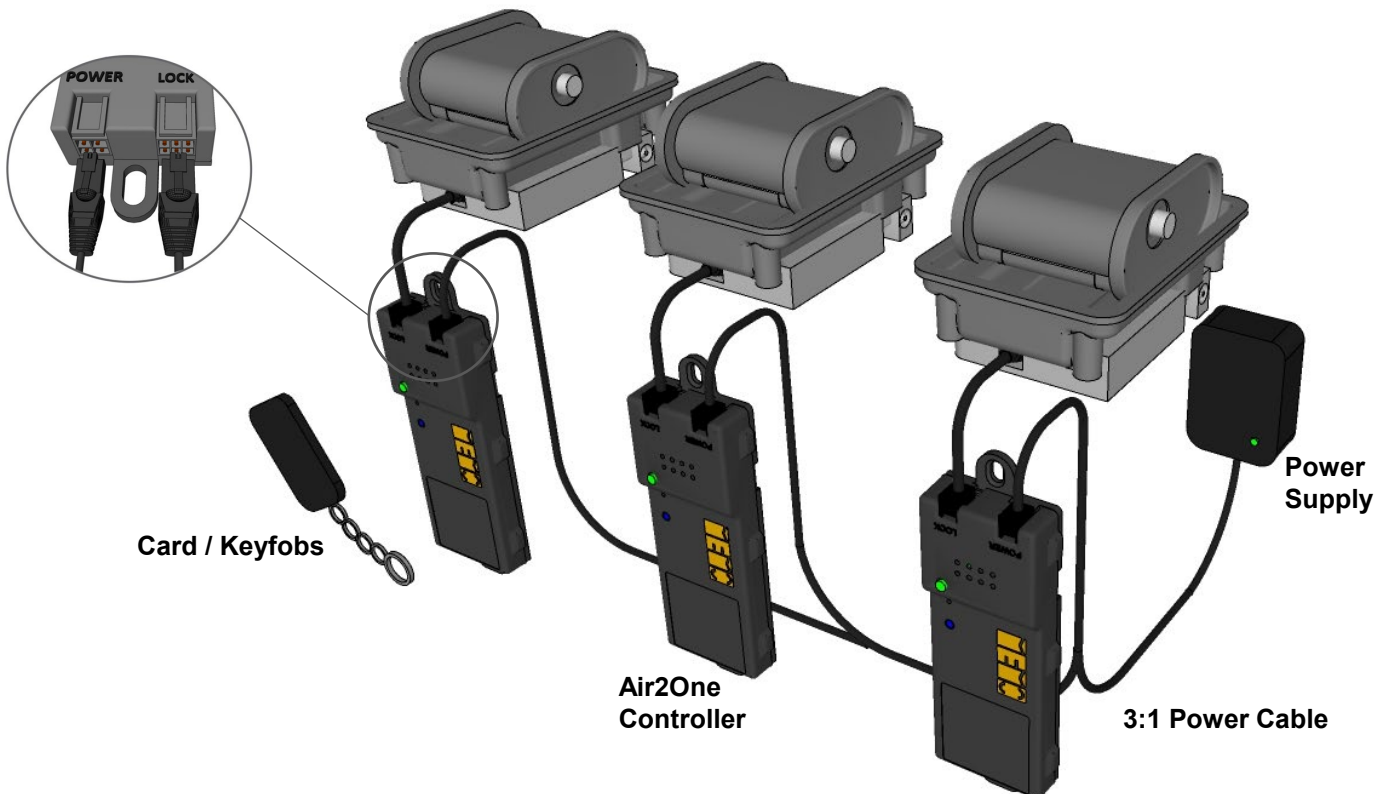


OWD SET - FLAT - Connections

Outside Overview



Inside Overview

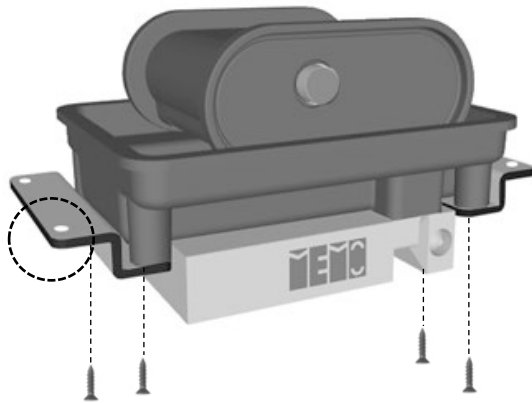


Mounting Brackets Installation

Dimensions: 53 x 24 x 10 mm



Mounting on Panel Thickness 2-12 mm

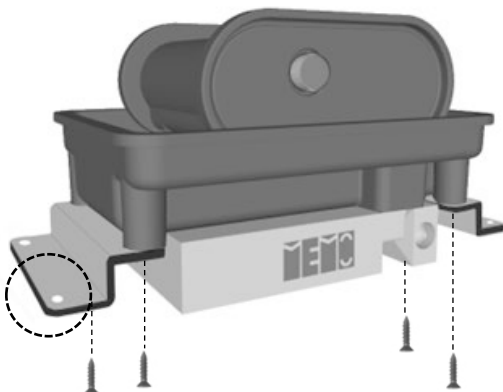


*4x Mounting Brackets screws included

Mounting panel screws not included



Mounting on Panel Thickness 8-22 mm

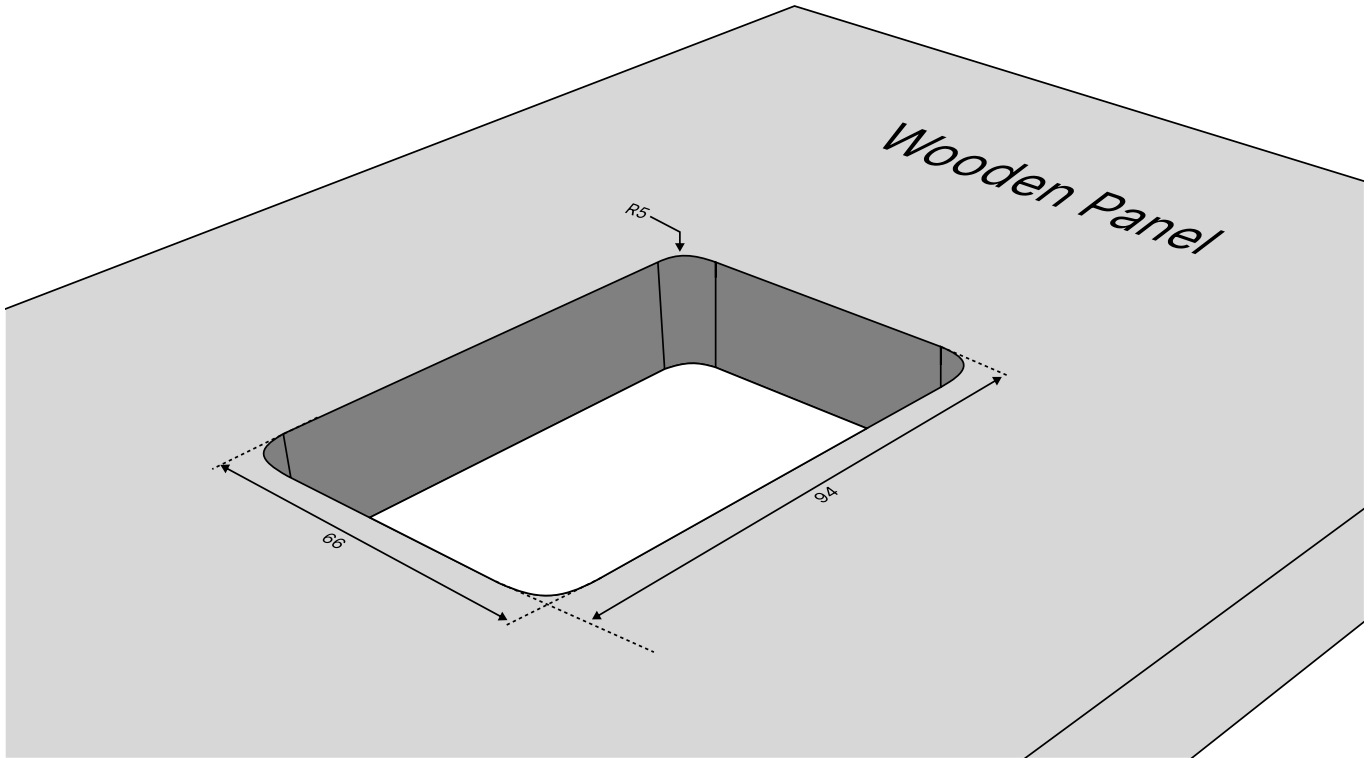


*4x Mounting Brackets screws included

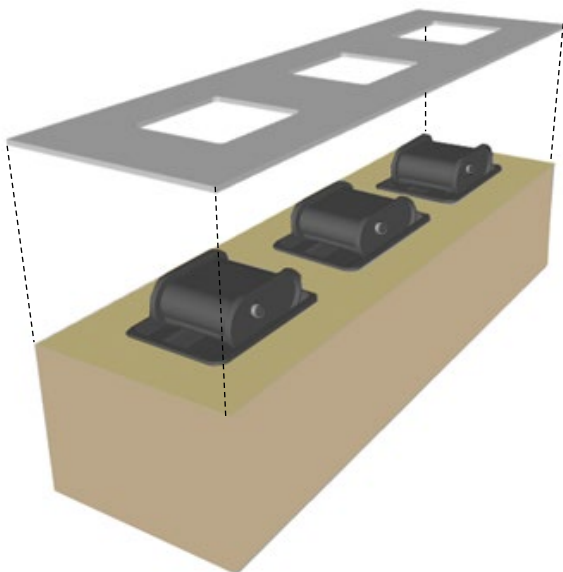
Mounting panel screws not included



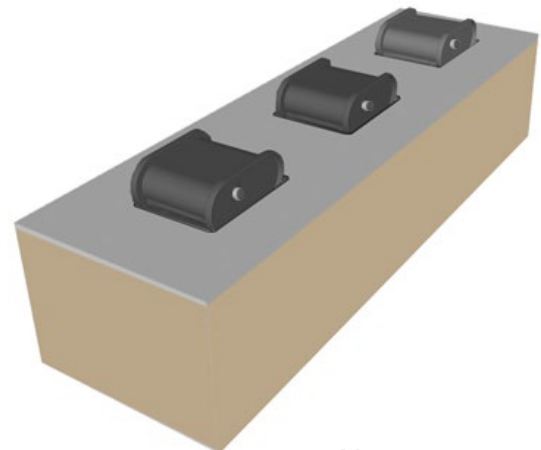
Panel Cutout



Panel Installation



Top Cover Panel Recommendation 3mm
***Optional by Customer**



Measurements
expressed in mm
Tolerance ± 0.5 mm

Copyright © 2017 MEMO International Ltd., F-17 Mosta Technopark, Mosta 3000, MALTA
www.memolocks.com, Telephone: +356 21492262, E-mail: support@memo.co.at

OPEN WATCH DISPLAY (OWD) SET

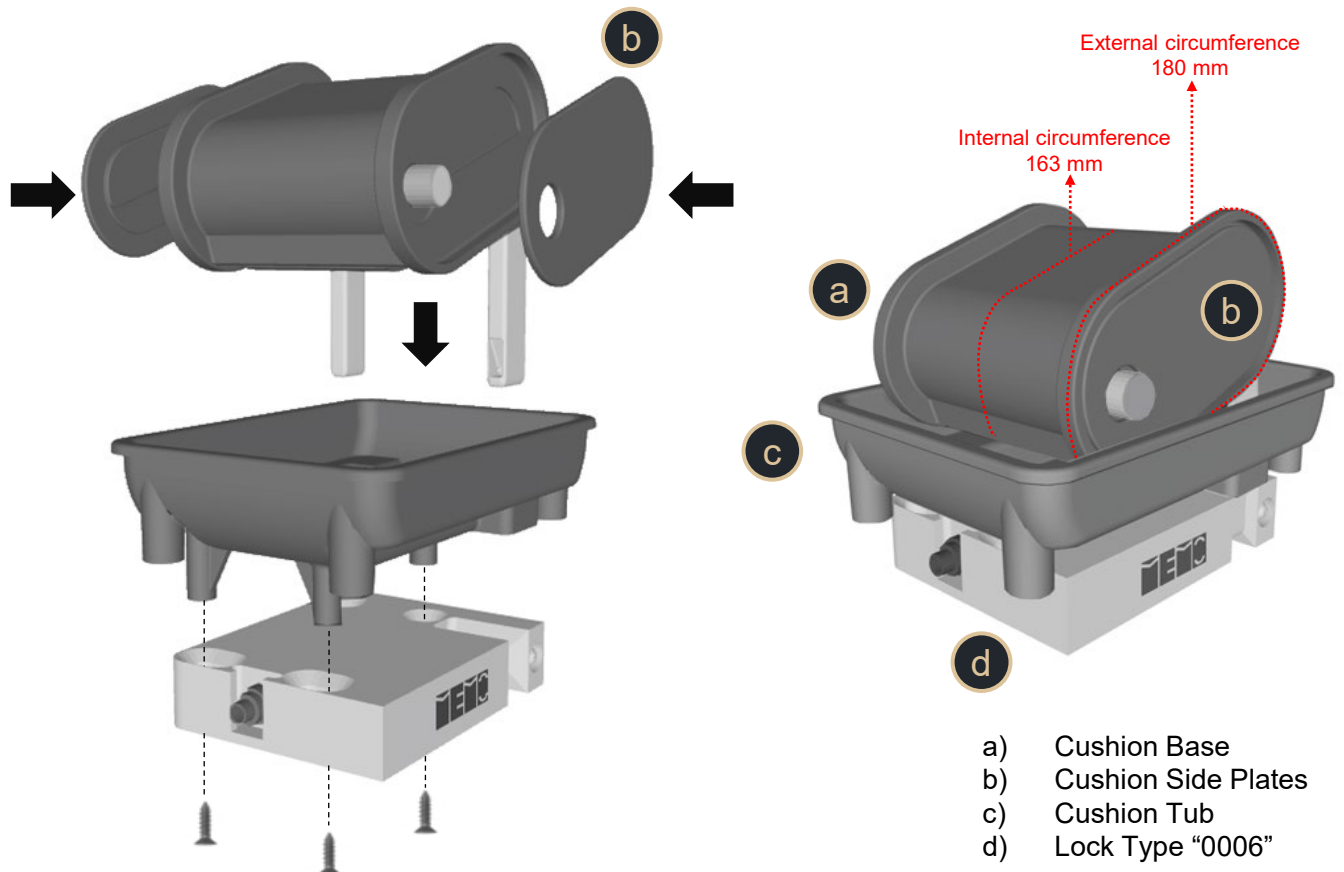
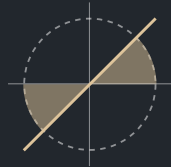
- ANGLED
- DOUBLE FLIP PIN

Article number: MI-MMV1-0019-12AIR

OWD SET with ANGLED cushion, for HORIZONTAL INSTALLATIONS.
Cushion BASE with Dual Flip PIN + Cushion Tub + HIGH SECURITY LOCK 0006 for connection with AIR2-Line Controllers, Color grey - paintable, Cushion Base prepared for upholstery – upholstery NOT included!

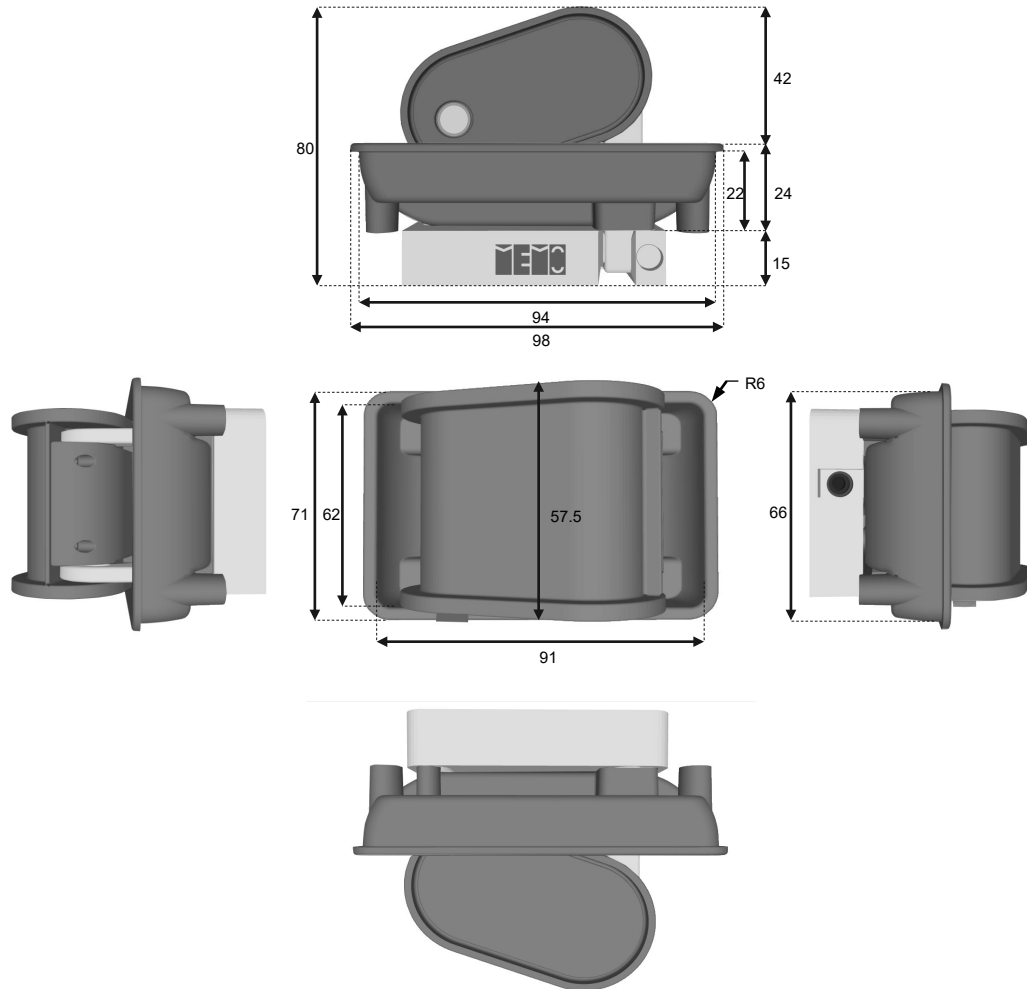


Installation Angle
0° - 45°

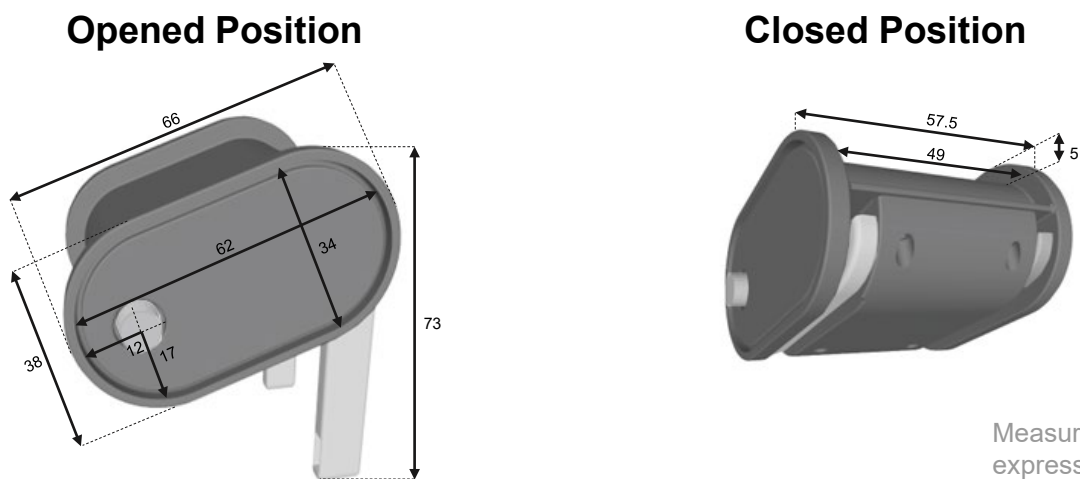


Note: Cushion Base must be upholstered individually, the bottom part of the cushion base must be covered only by one layer of fabric, no additional foam allowed !

OWD SET - ANGLED - Dimensions



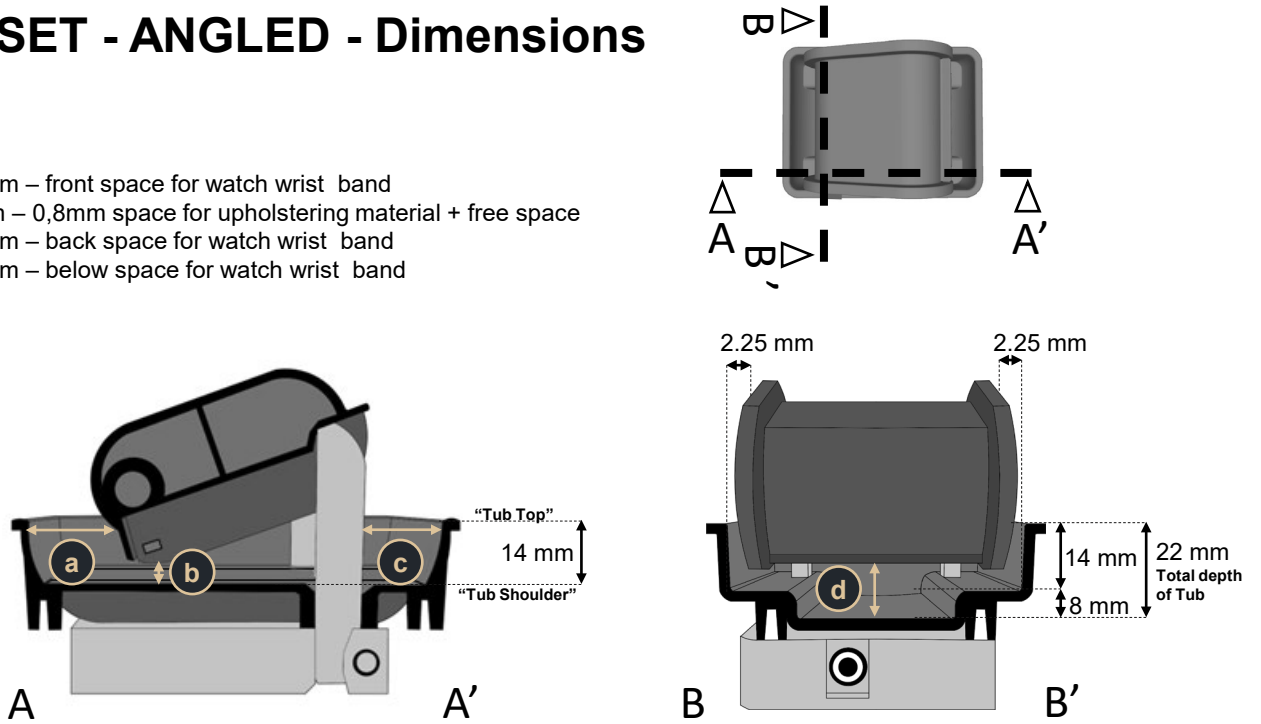
Cushion Base



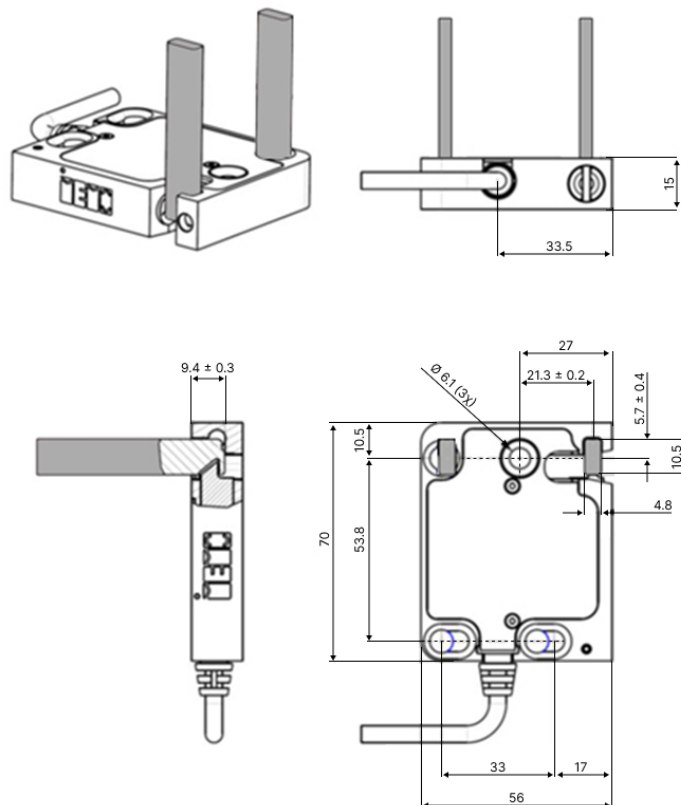
Measurements
expressed in mm
Tolerance ± 0.5 mm

OWD SET - ANGLED - Dimensions

- a) 18 mm – front space for watch wrist band
- b) 3 mm – 0,8mm space for upholstering material + free space
- c) 17 mm – back space for watch wrist band
- d) 11 mm – below space for watch wrist band

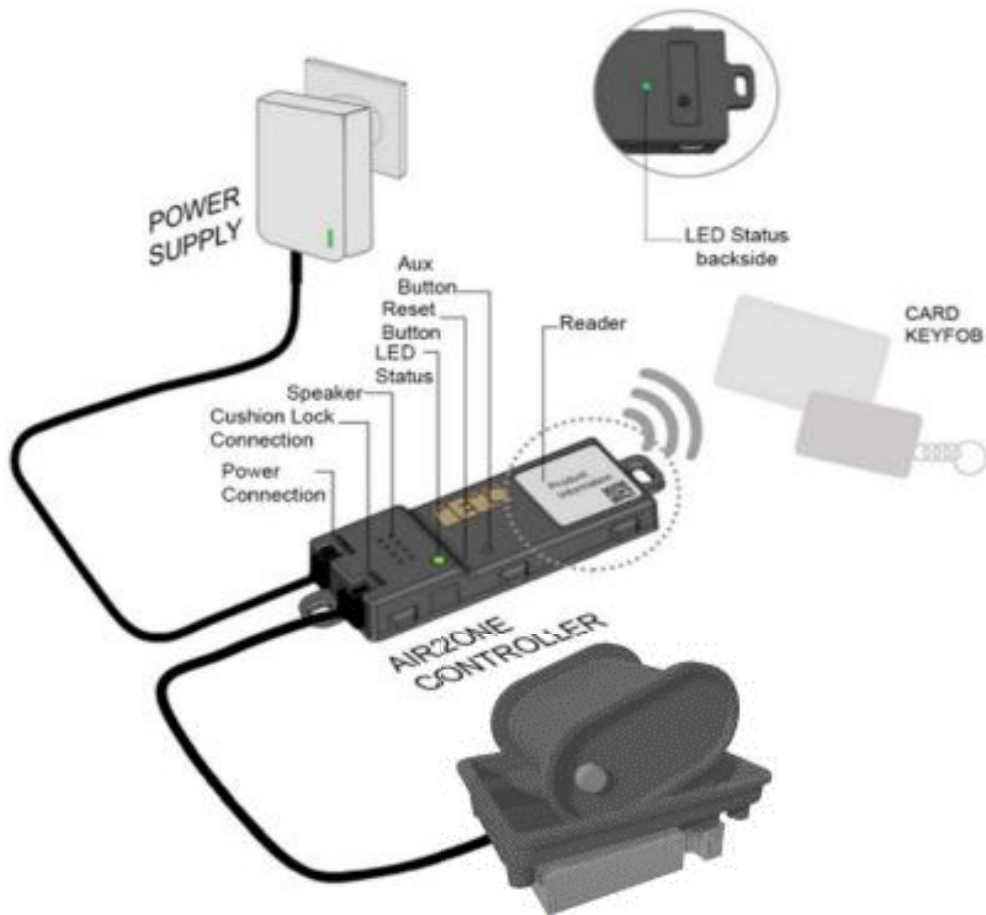


MEMO Lock Type 0006



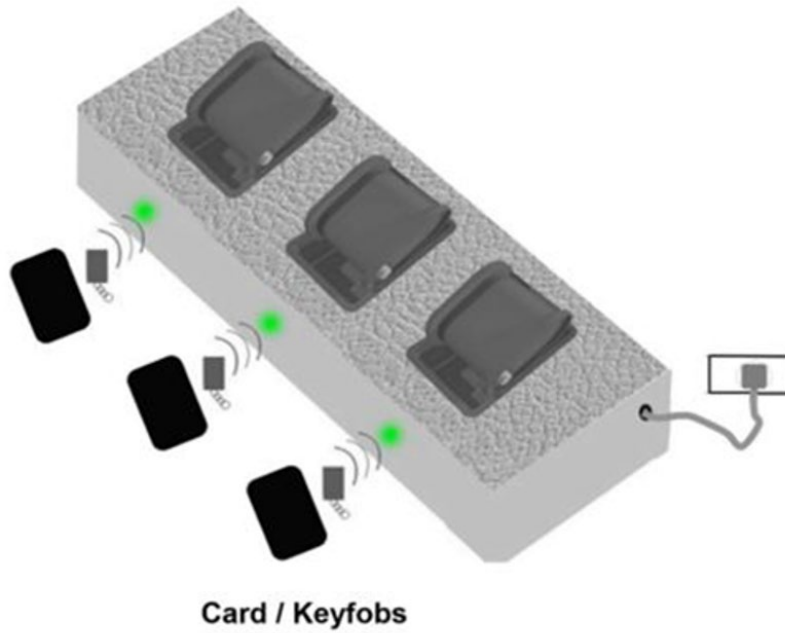
Measurements expressed in mm
Tolerance ± 0.5 mm

OWD SET - ANGLED - Connections

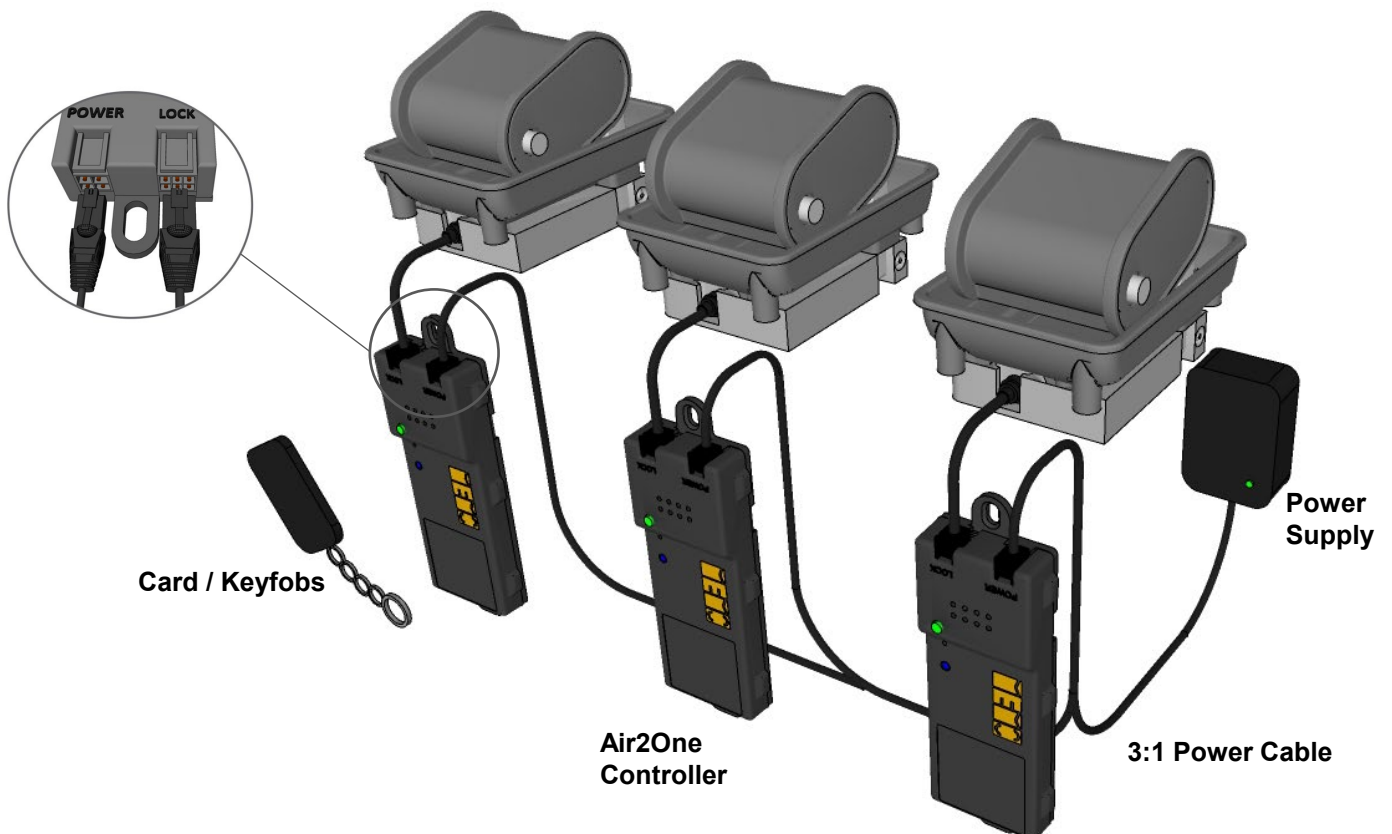


OWD SET - ANGLED - Connections

Outside Overview



Inside Overview

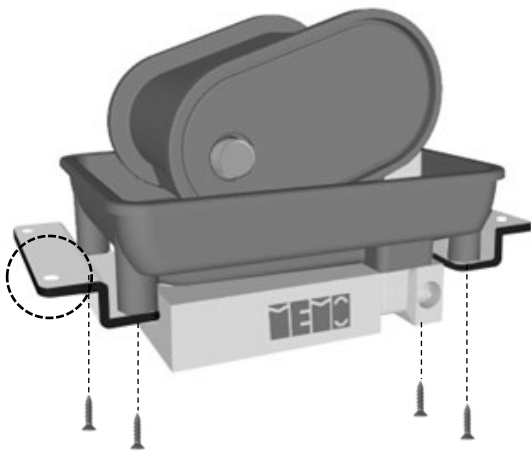


Mounting Brackets Installation

Dimensions: 53 x 24 x 10 mm



Mounting on Panel Thickness 2-12 mm

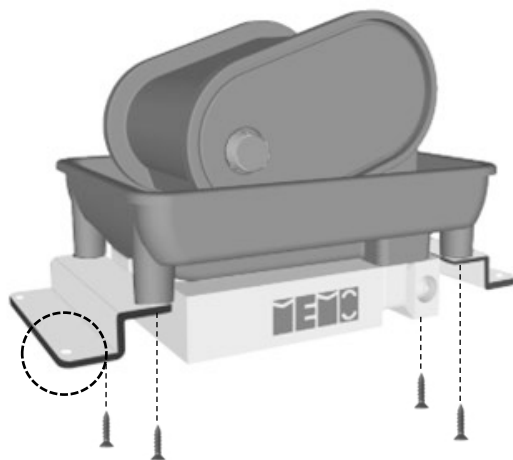


Mounting panel screws not included



*4x Mounting Brackets screws included

Mounting on Panel Thickness 8-22 mm

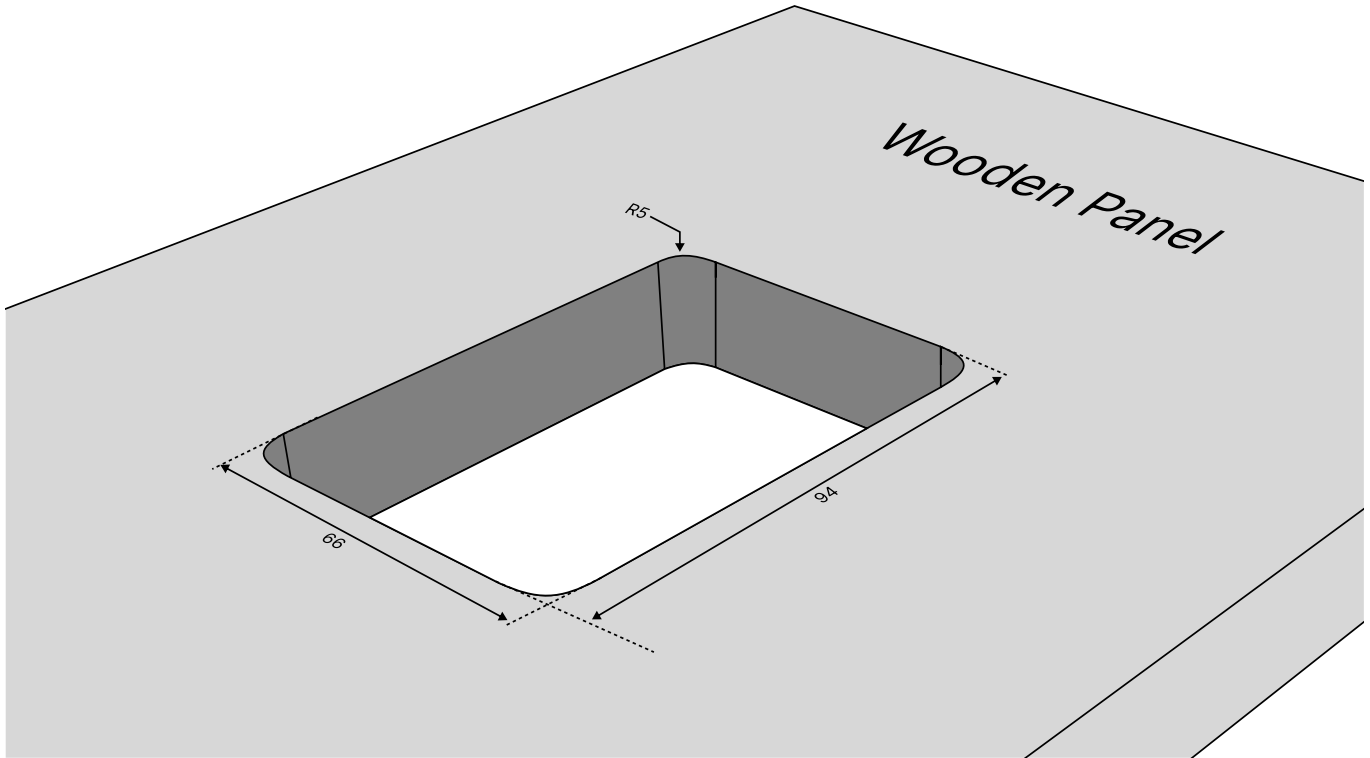


Mounting panel screws not included

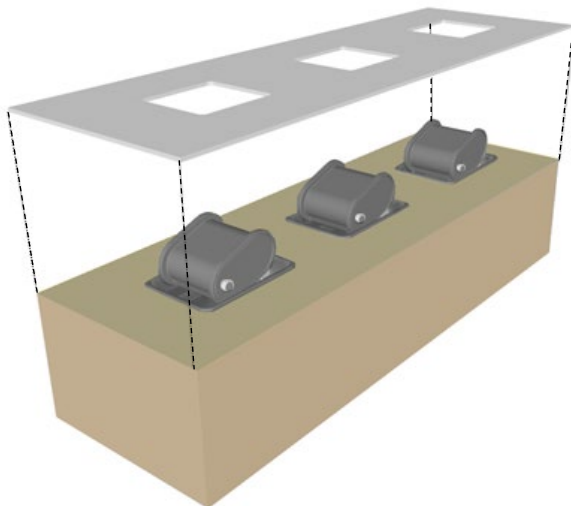


*4x Mounting Brackets screws included

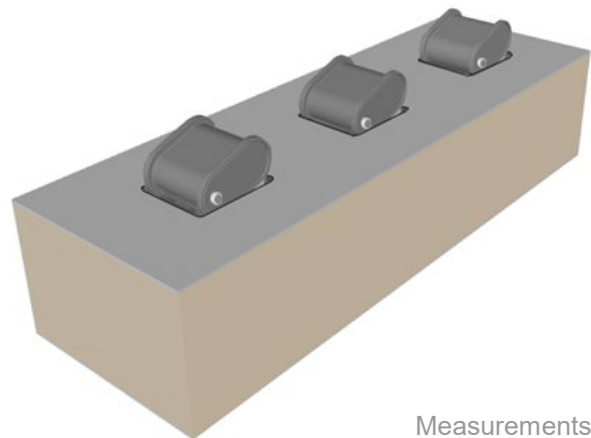
Panel Cutout



Panel Installation



Top Cover Panel Recommendation 3mm
***Optional by Customer**



Measurements
expressed in mm
Tolerance ± 0.5 mm

OPEN WATCH DISPLAY (OWD) SET

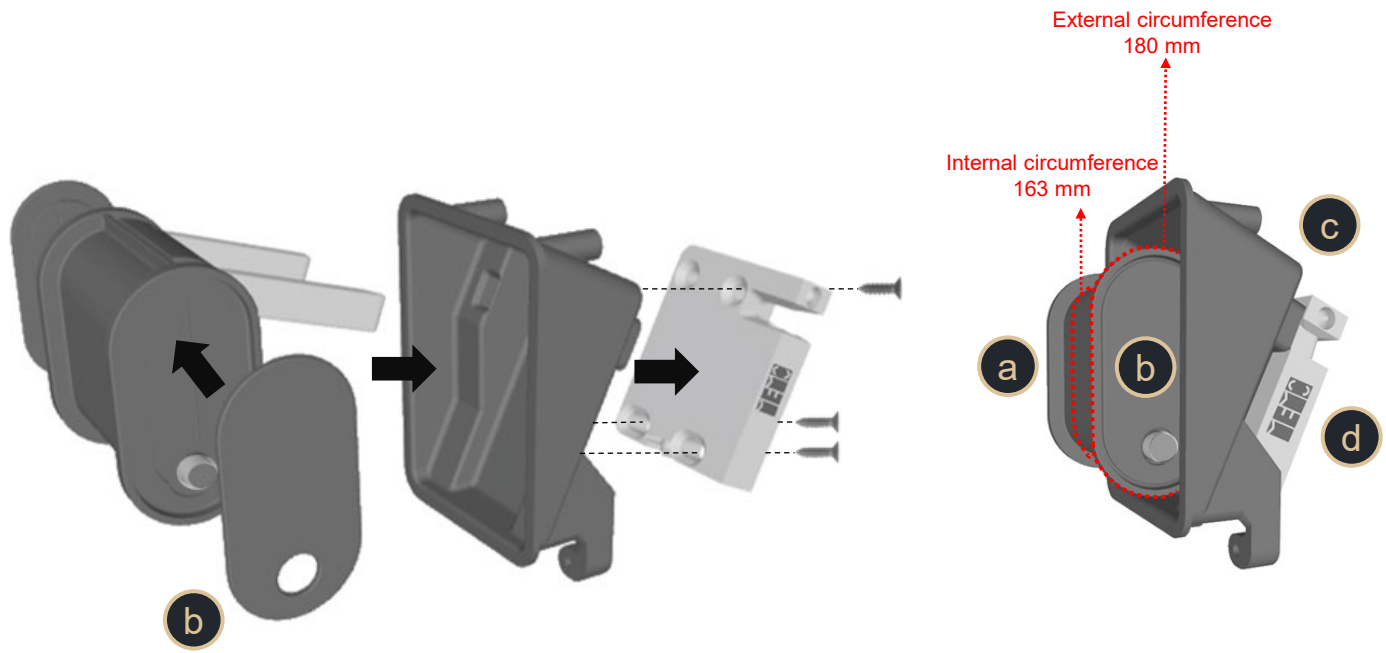
- VERTICAL
- DOUBLE FLIP PIN

Article number: MI-MMV1-0013-12AIR

OWD SET with PARALLEL cushion, for VERTICAL INSTALLATIONS.
Cushion BASE with Dual Flip PIN + Cushion Tub + HIGH SECURITY LOCK 0006 for connection with AIR2-Line Controllers, grey - paintable,
Cushion Base prepared for upholstery – upholstery NOT included!



Installation Angle
0° - 90°

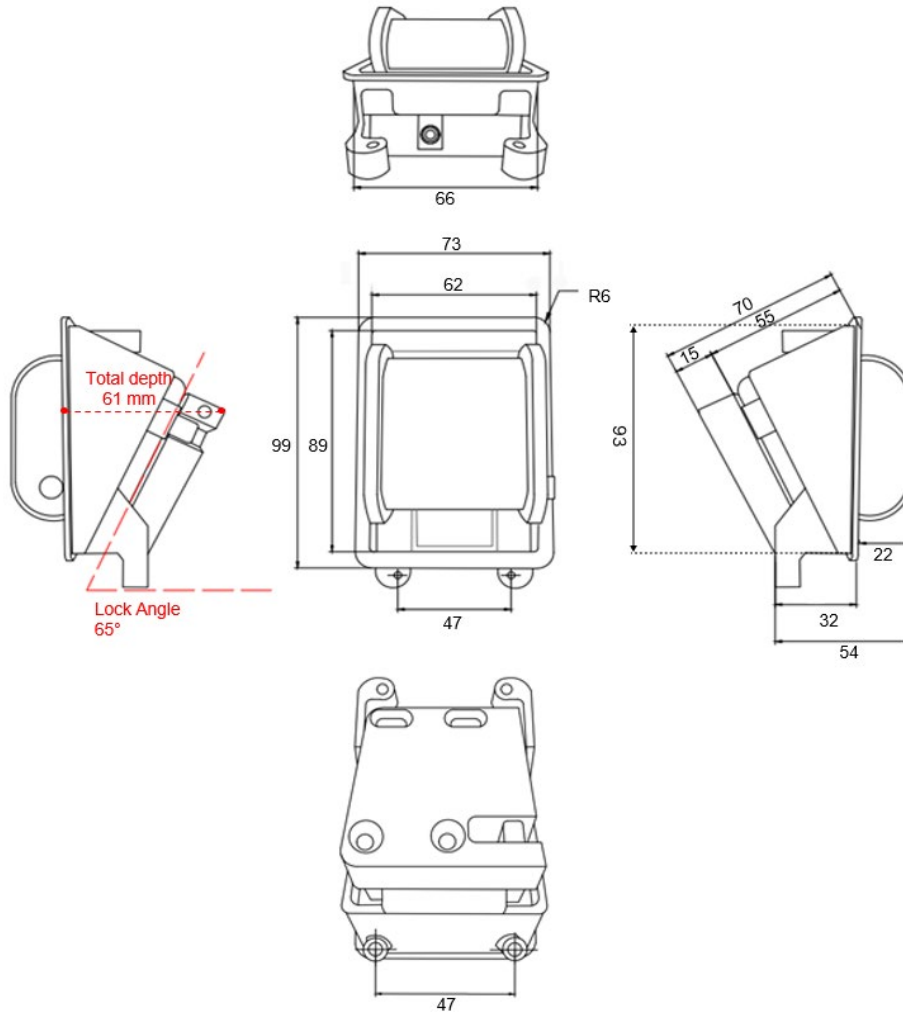


- a) Cushion Base
- b) Cushion Side Plates
- c) Cushion Tub
- d) Lock Type "0006"

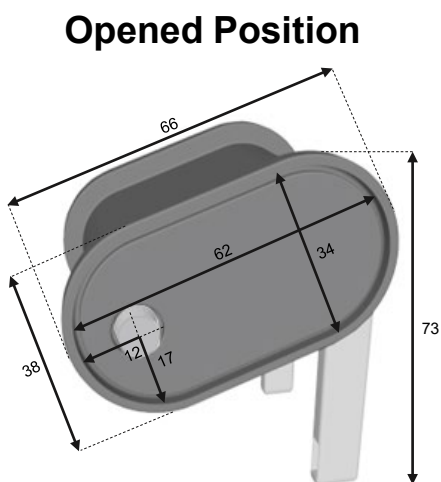
Note: Cushion Base must be upholstered individually, the bottom part of the cushion base must be covered only by one layer of fabric, no additional foam allowed !

Copyright © 2017 MEMO International Ltd., F-17 Mosta Technopark, Mosta 3000, MALTA
www.memolocks.com, Telephone: +356 21492262, E-mail: support@memo.co.at

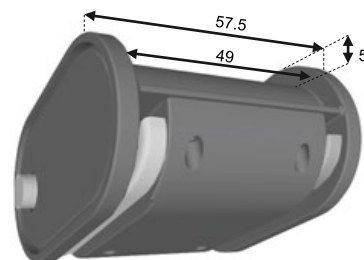
OWD SET - VERTICAL - Dimensions



Cushion Base



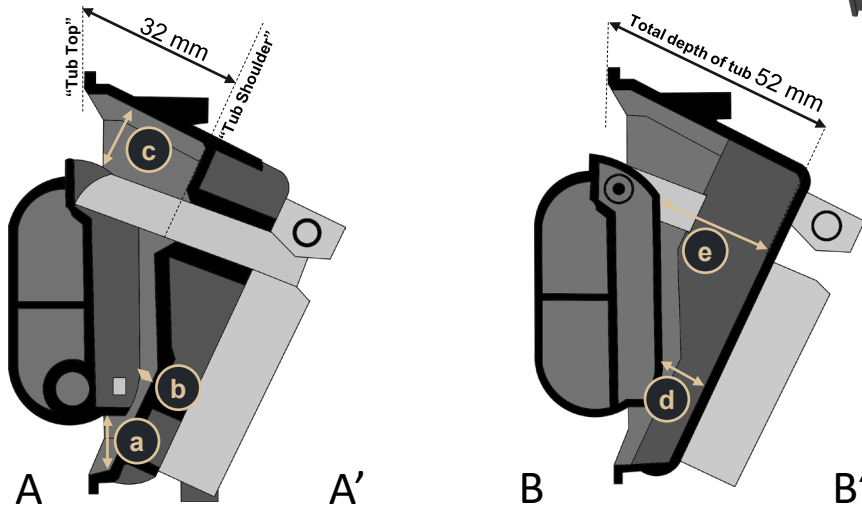
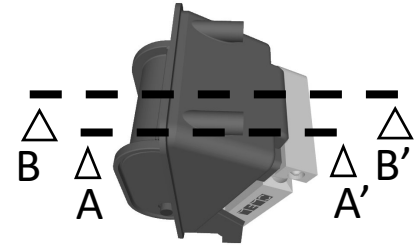
Closed Position



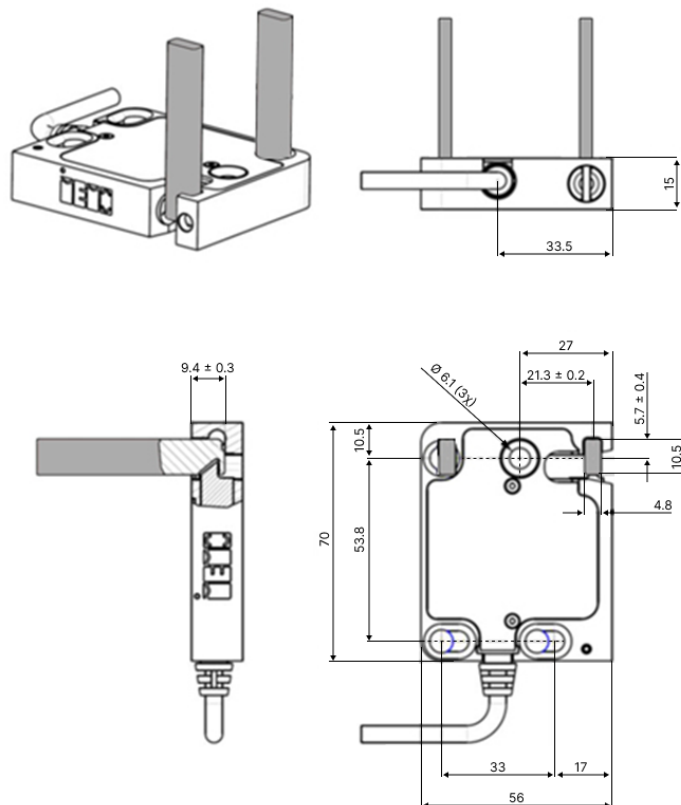
Measurements expressed in mm
Tolerance ± 1 mm

OWD SET - VERTICAL - Dimensions

- a) 16 mm - bottom space for watch wrist band
- b) 4 mm – 0,8mm space for upholstering material + free space
- c) 15 mm – top space for watch wrist band
- d) 15 mm - below space for watch wrist band
- e) 27 mm - below space for watch wrist band

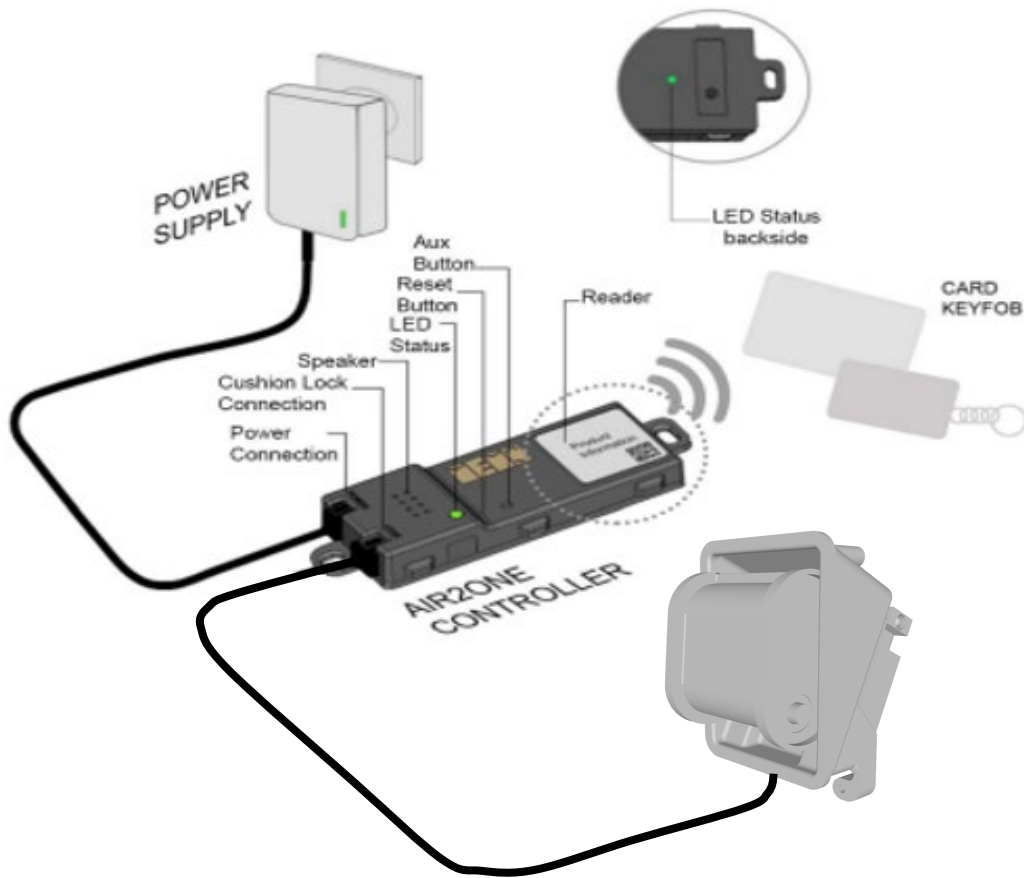


MEMO Lock Type 0006



Measurements expressed in mm
Tolerance ± 0.5 mm

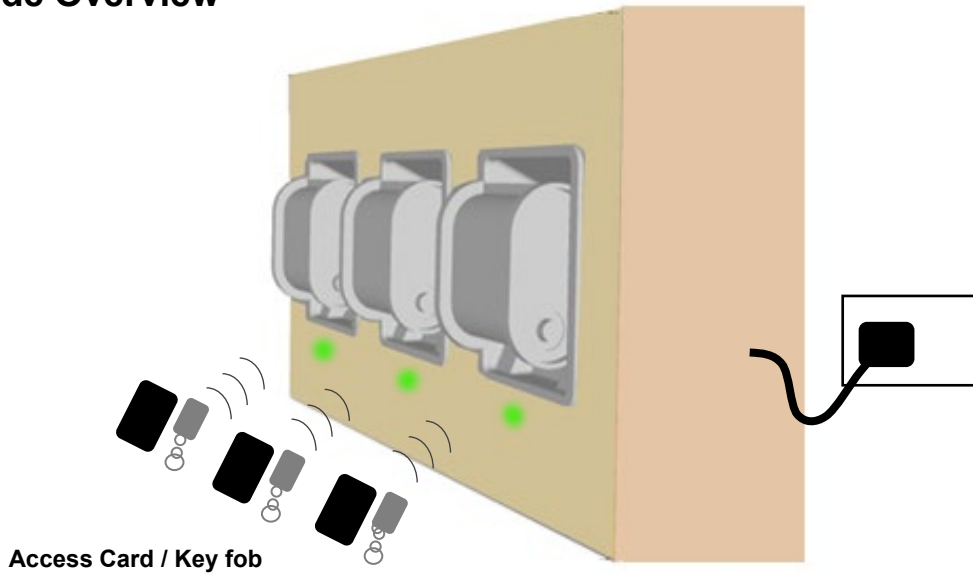
OWD SET - VERTICAL - Connections



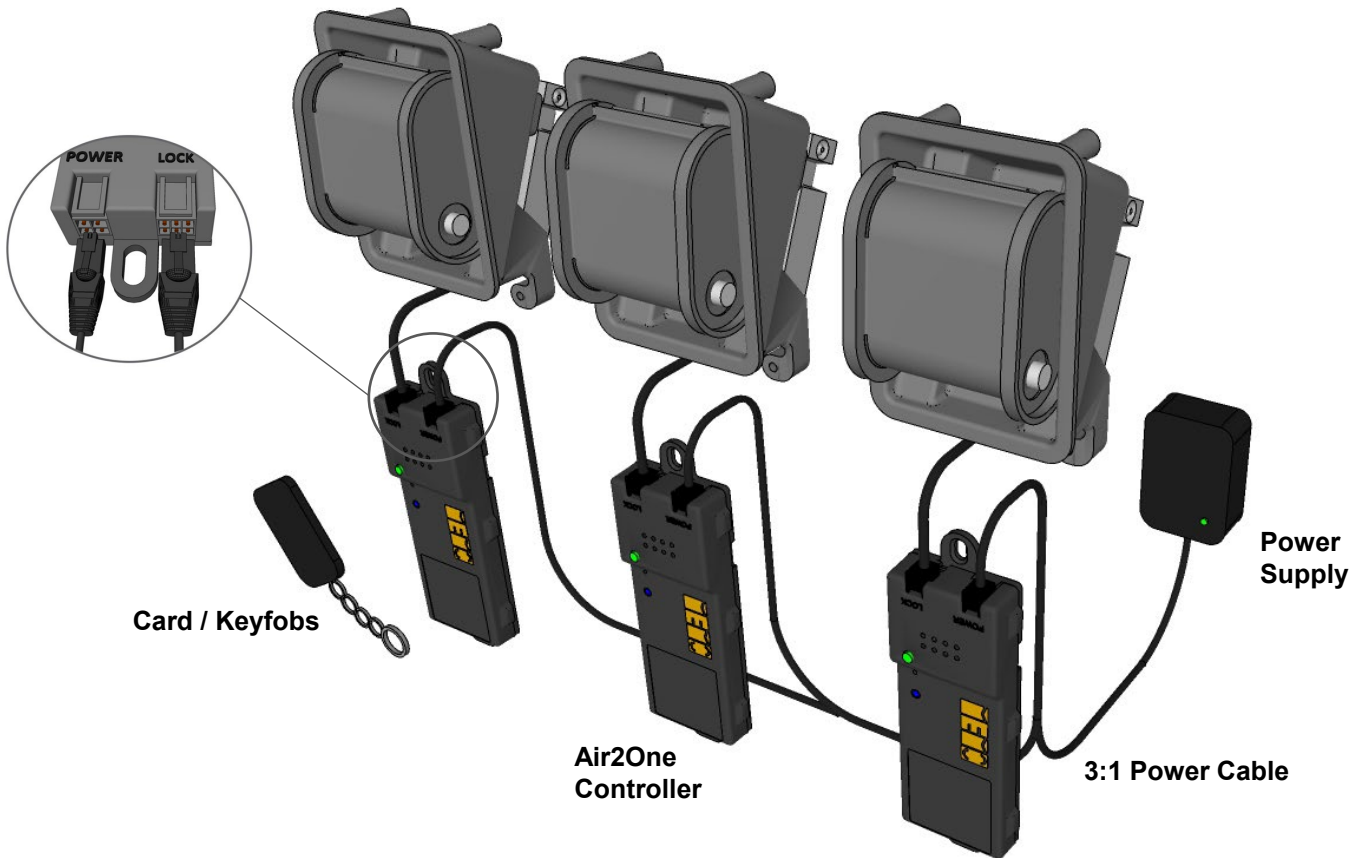
Copyright © 2017 MEMO International Ltd., F-17 Mosta Technopark, Mosta 3000, MALTA
www.memolocks.com, Telephone: +356 21492262, E-mail: support@memo.co.at

OWD SET - VERTICAL - Connections

Outside Overview



Inside Overview



Copyright © 2017 MEMO International Ltd., F-17 Mosta Technopark, Mosta 3000, MALTA
www.memolocks.com, Telephone: +356 21492262, E-mail: support@memo.co.at

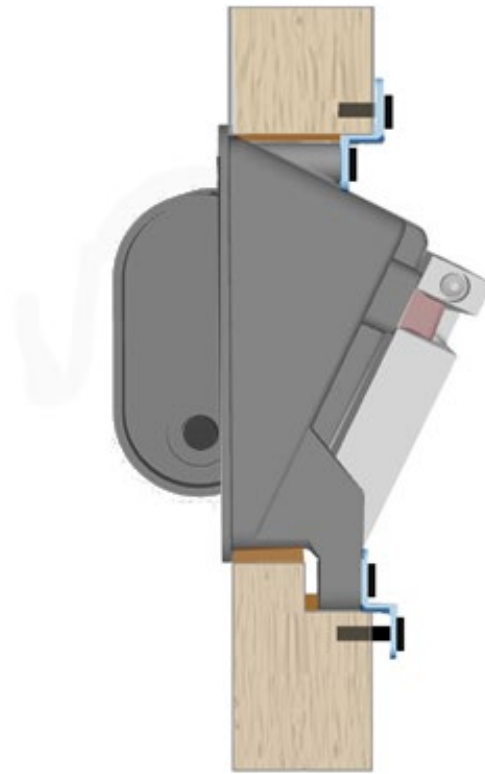
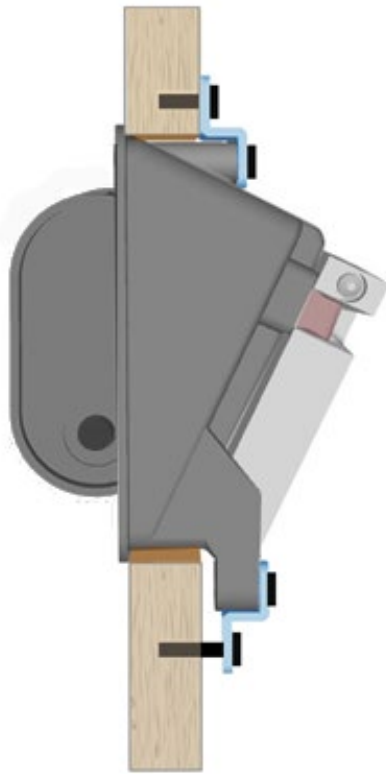
Mounting Brackets Installation

Dimensions: 53 x 24 x 10 mm

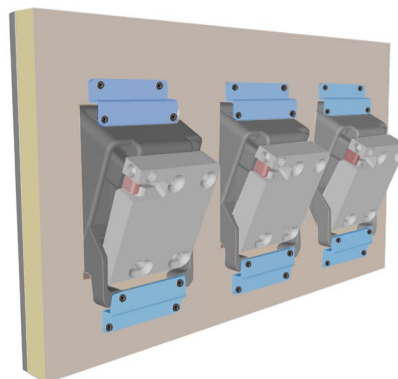


Mounting on Panel Thickness 2-12 mm

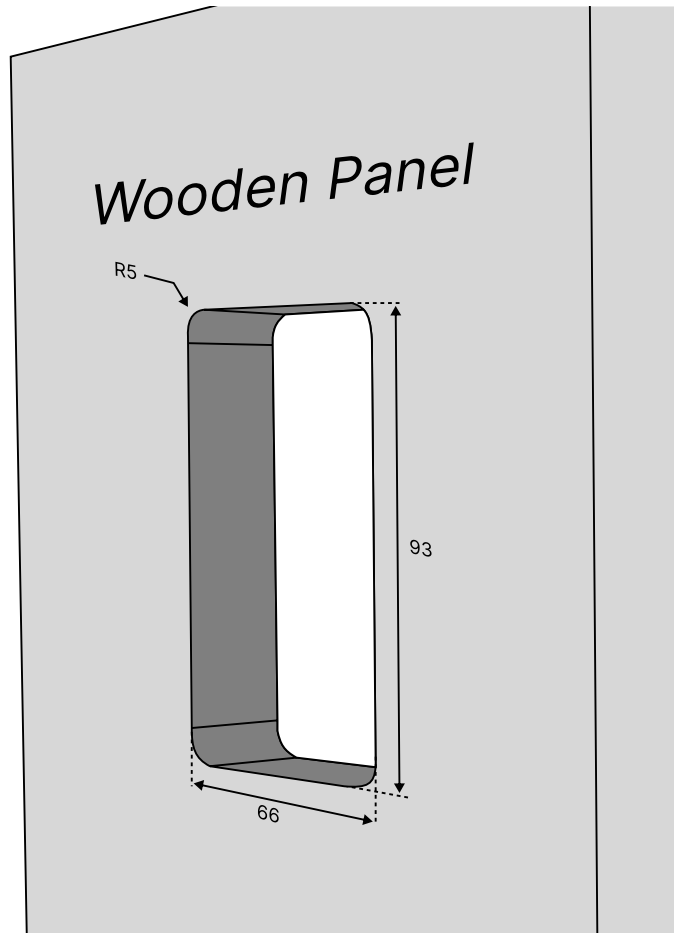
Mounting on Panel Thickness 8-22 mm



Backside view

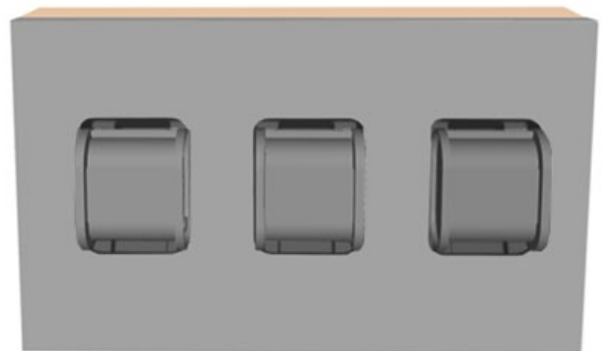
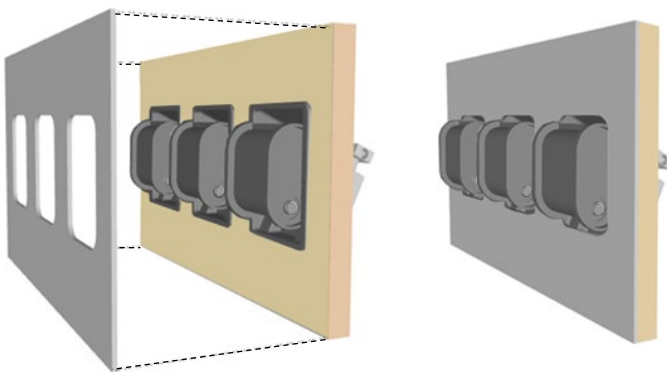


Panel Cutout



Front Cover Panel Recommendation 3mm
***Optional by Customer**

Front View Covered with 3 mm panel



Measurements
expressed in mm
Tolerance ± 0.5 mm

OWD SET – EXTERNAL READER Variations

Open Watch Display Set - EXTERNAL Reader – FLAT

MI-MMV1-0020-12AIR

OWD SET with PARALLEL cushion, for ANGLED INSTALLATIONS.
Cushion BASE with Dual Flip PIN + Cushion Tub + HIGH SECURITY LOCK 0006 for connection with AIR2-Line Controllers, Color grey - paintable, Cushion Base prepared for upholstery – upholstery NOT included!



Open Watch Display Set - EXTERNAL Reader - ANGLED

MI-MMV1-0019-12AIR

OWD SET with ANGLED cushion, for HORIZONTAL INSTALLATIONS.
Cushion BASE with Dual Flip PIN + Cushion Tub + HIGH SECURITY LOCK 0006 for connection with AIR2-Line Controllers, Color grey - paintable, Cushion Base prepared for upholstery – upholstery NOT included!



Open Watch Display Set - EXTERNAL Reader - VERTICAL

MI-MMV1-0013-12AIR

OWD SET with PARALLEL cushion, for VERTICAL INSTALLATIONS.
Cushion BASE with Dual Flip PIN + Cushion Tub + HIGH SECURITY LOCK 0006 for connection with AIR2-Line Controllers, grey - paintable, Cushion Base prepared for upholstery – upholstery NOT included!



OWD SET – INTEGRATED READER Variations

Open Watch Display Set - INTEGRATED Reader - FLAT

Article Number: MI-MMV1-0120-12AIR

OWD SET with PARALLEL cushion, for ANGLED INSTALLATIONS.
Cushion BASE with Dual Flip PIN + Cushion Tub + HIGH SECURITY LOCK 0006 for connection with AIR2-Line Controllers, Color grey - paintable,
Cushion Base prepared for upholstery – upholstery NOT included!



Open Watch Display Set - INTEGRATED Reader – ANGLED

Article Number: MI-MMV1-0119-12AIR

OWD SET with ANGLED cushion, for HORIZONTAL INSTALLATIONS.
Cushion BASE with Dual Flip PIN + Cushion Tub + HIGH SECURITY LOCK 0006 for connection with AIR2-Line Controllers, Color grey - paintable,
Cushion Base prepared for upholstery – upholstery NOT included!



Open Watch Display Set - INTEGRATED Reader - VERTICAL

Article Number: MI-MMV1-0113-12AIR

OWD SET with PARALLEL cushion, for VERTICAL INSTALLATIONS.
Cushion BASE with Dual Flip PIN + Cushion Tub + HIGH SECURITY LOCK 0006 for connection with AIR2-Line Controllers, Color grey - paintable,
Cushion Base prepared for upholstery – upholstery NOT included!



The Future Is Here !

OPEN WATCH DISPLAY (OWD) MODULE

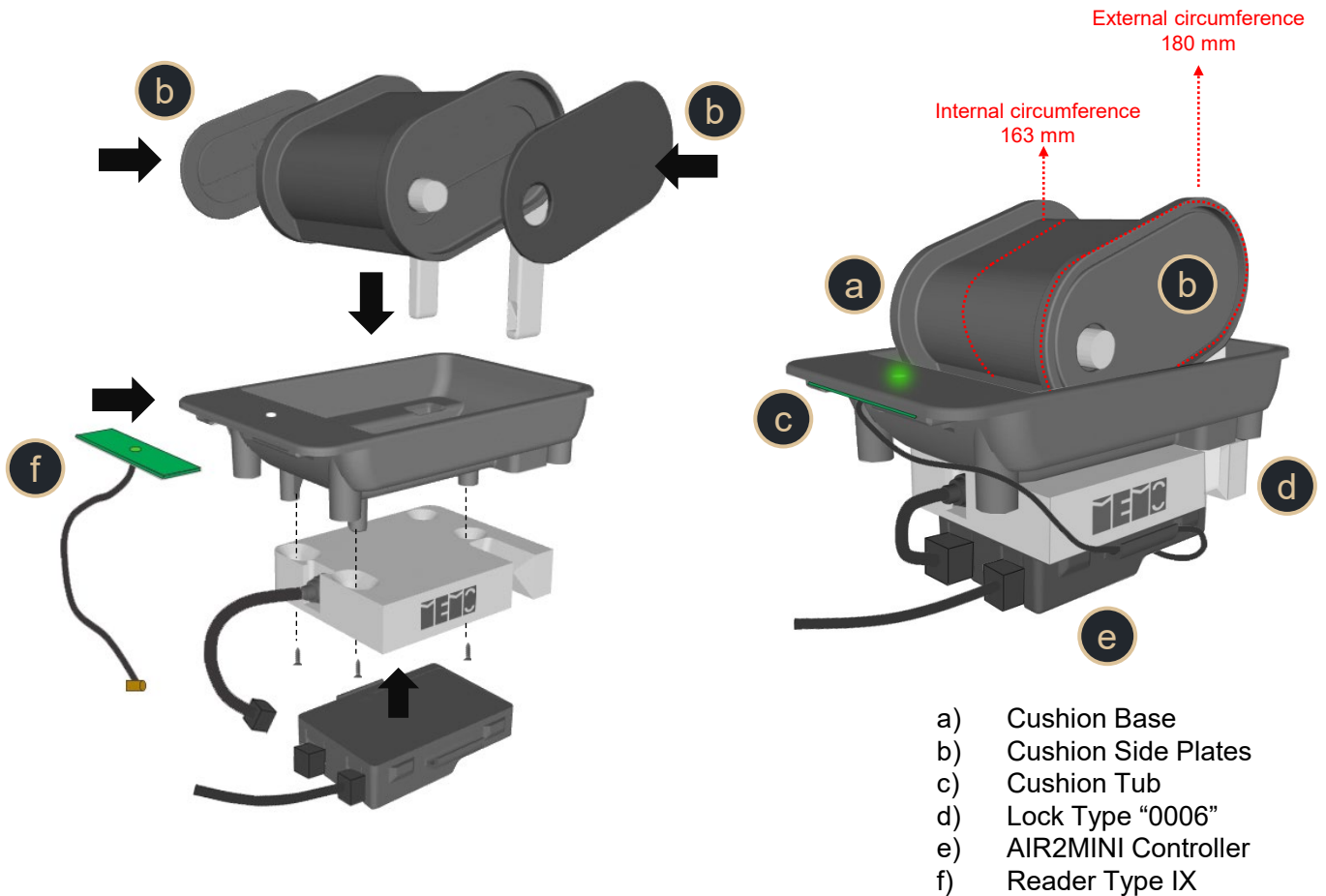
- ANGLED
- DOUBLE FLIP PIN

Article Number: MI-MOD4-0019-12AIR

OWD MODULE for OPEN WATCH presentation with ANGLED cushion, for HORIZONTAL INSTALLATIONS. Containing: Cushion Tub with high resistance Lock 0006, Angled Cushion Base with dual flip pins, AIR2MINI Controller for Access Control up to 300 users. Color grey - paintable, Cushion Base prepared for upholstery – upholstery NOT included!

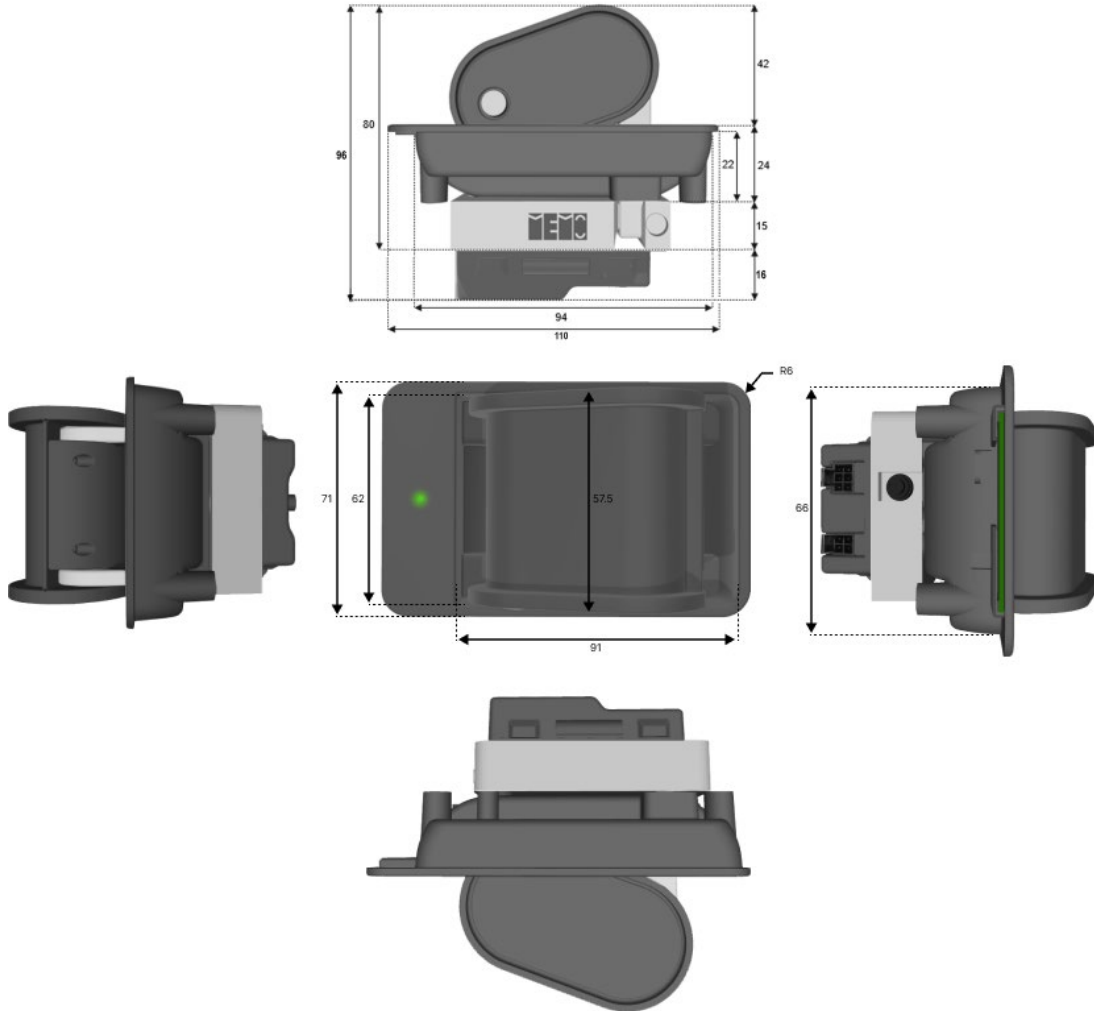


Installation Angle
0° - 45°

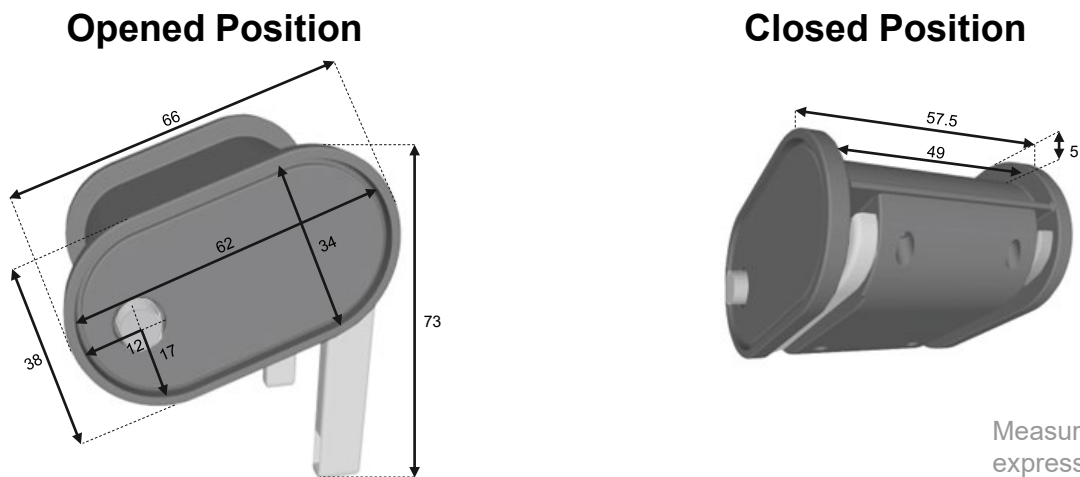


Note: Cushion Base must be upholstered individually, the bottom part of the cushion base must be covered only by one layer of fabric, no additional foam allowed !

OWD MODULE - ANGLED – Dimensions



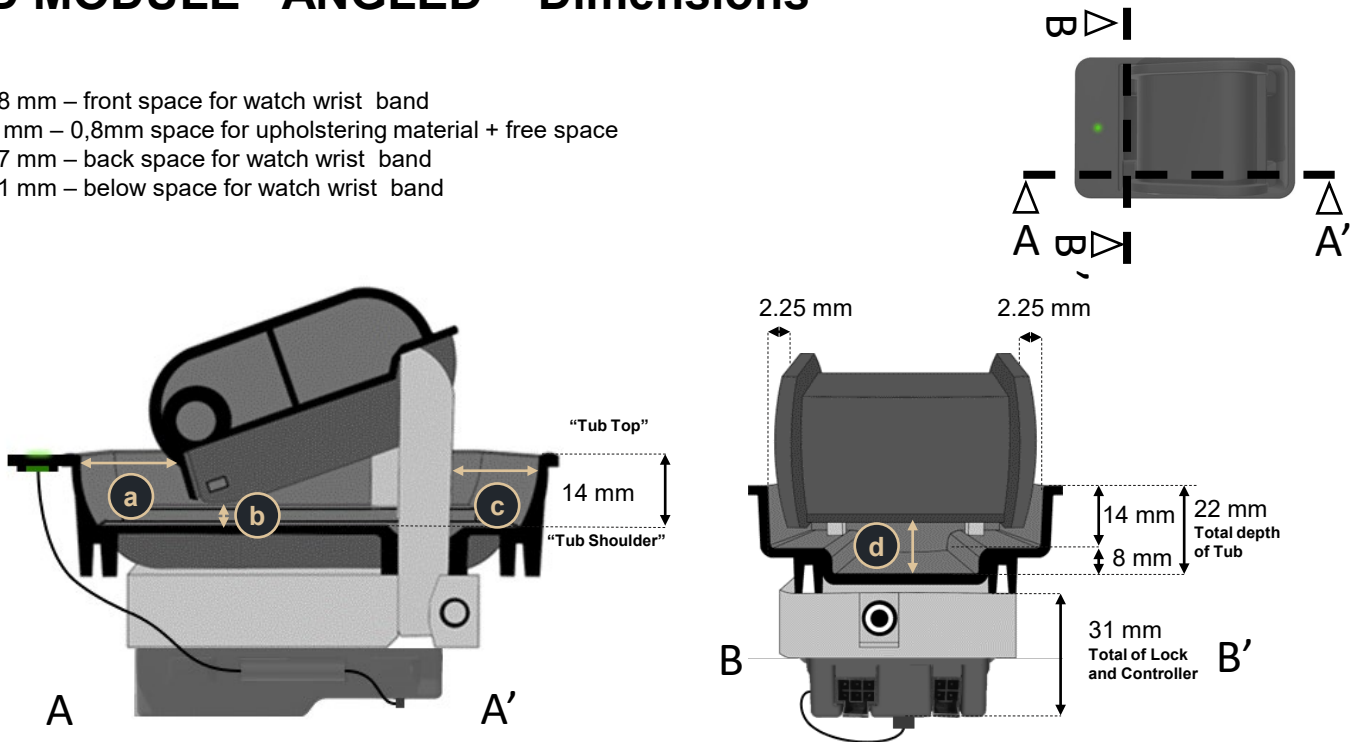
Cushion Base



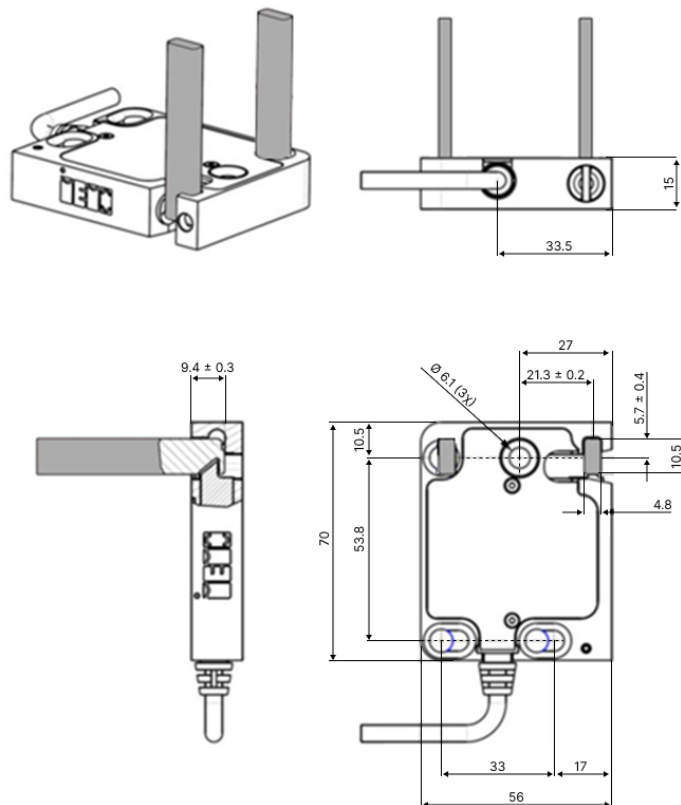
Measurements expressed in mm
Tolerance ± 0.5 mm

OWD MODULE - ANGLED – Dimensions

- a) 18 mm – front space for watch wrist band
- b) 3 mm – 0,8mm space for upholstering material + free space
- c) 17 mm – back space for watch wrist band
- d) 11 mm – below space for watch wrist band



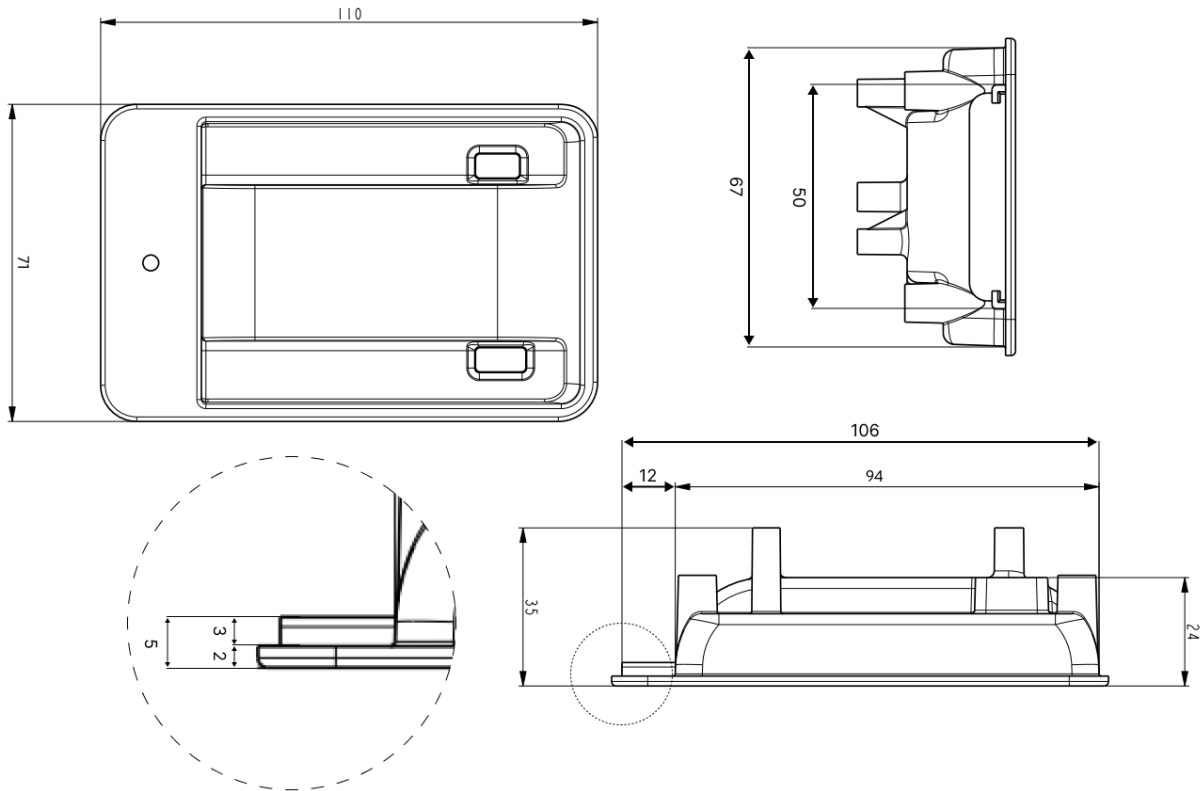
MEMO Lock Type 0006



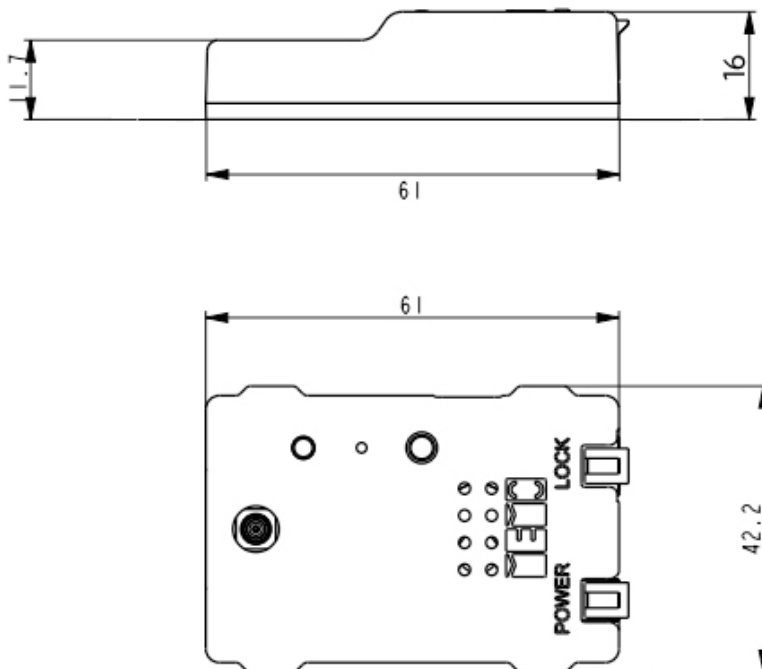
Measurements expressed in mm
Tolerance ± 0.5 mm

OWD MODULE - ANGLED – Dimensions

Tub Dimensions

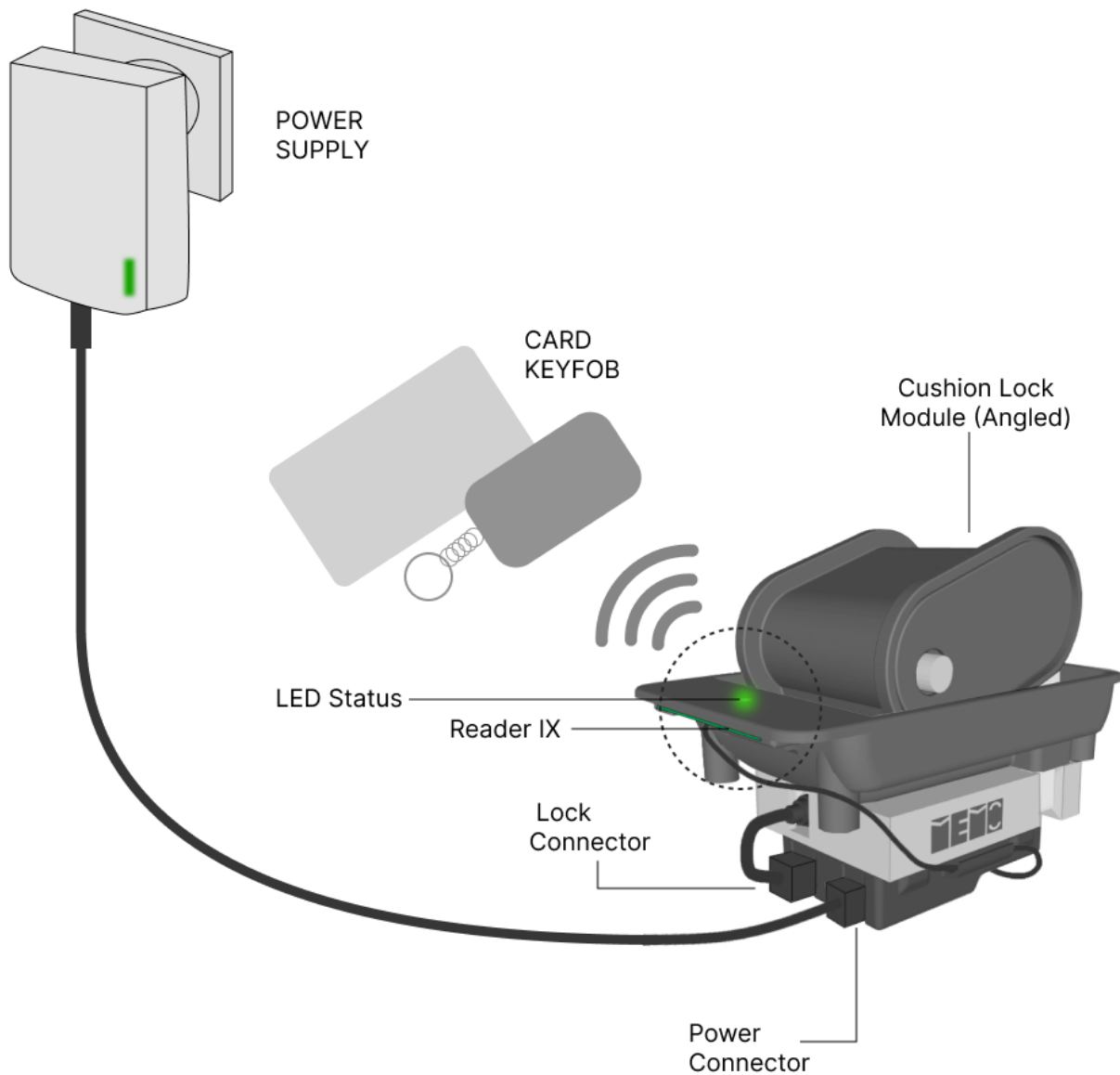


AIR2MINI Controller Dimensions



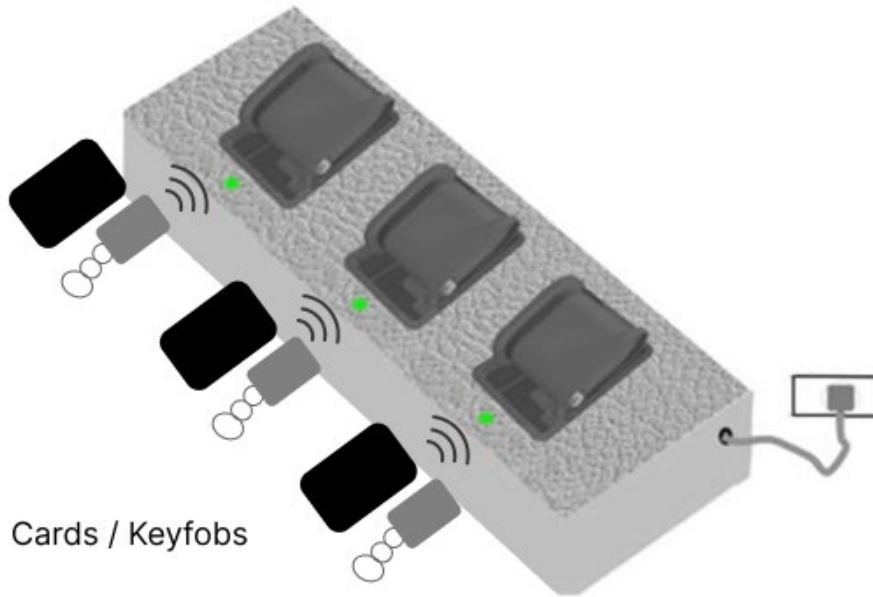
Measurements
expressed in mm
Tolerance ± 0.5 mm

OWD MODULE - ANGLED – Connections

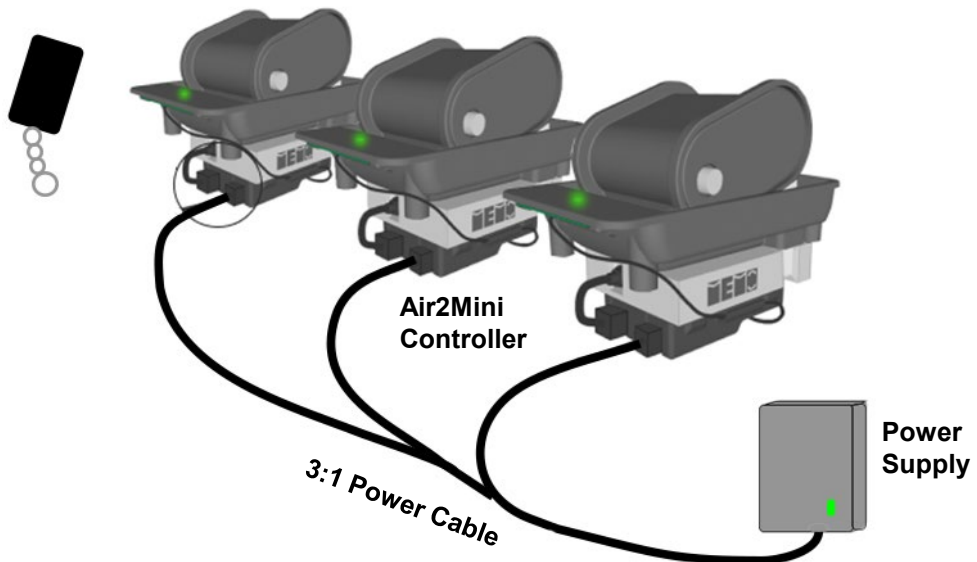


OWD MODULE - ANGLED – Connections

Outside Overview



Inside Overview

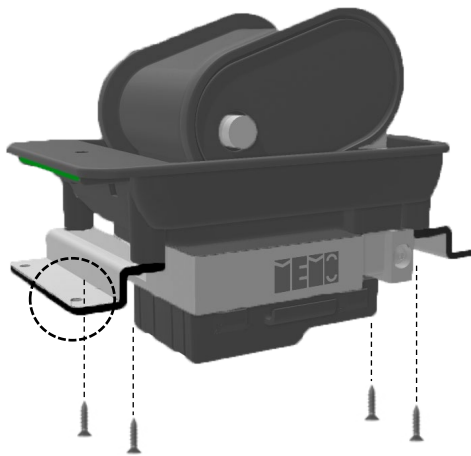


Mounting Brackets Installation

Dimensions: 53 x 24 x 10 mm



Mounting on Panel Thickness 2-12 mm

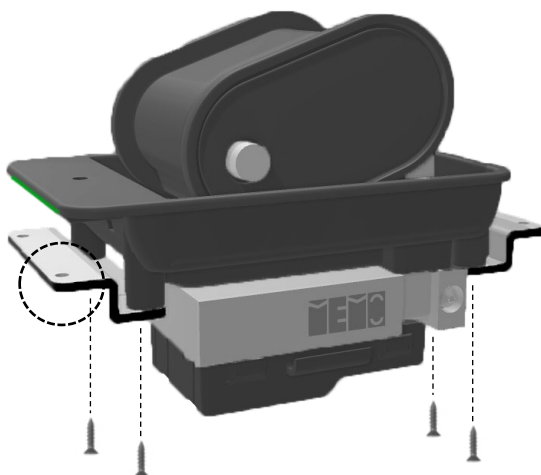


Mounting panel screws not included



*4x Mounting Brackets screws included

Mounting on Panel Thickness 8-22 mm

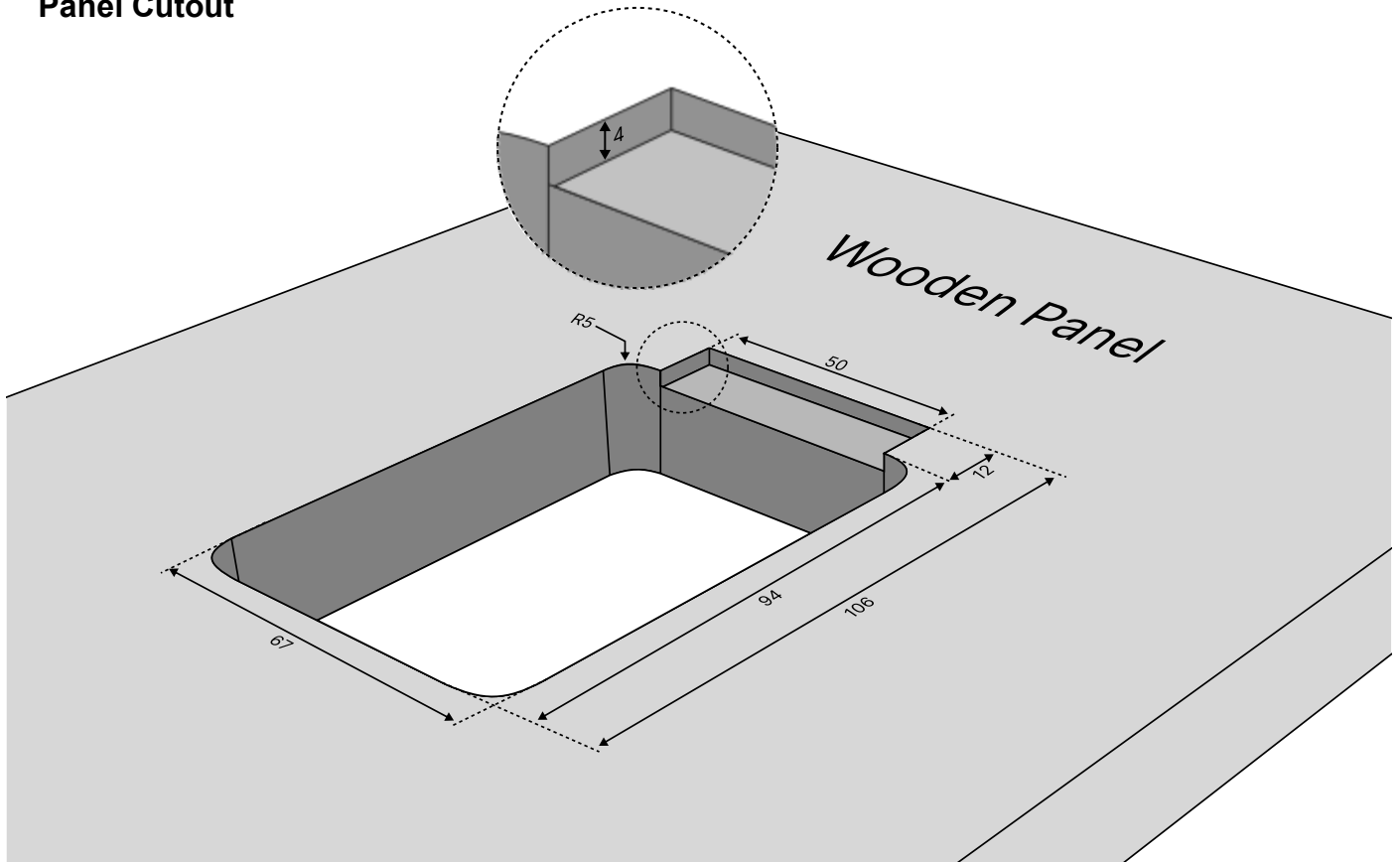


Mounting panel screws not included

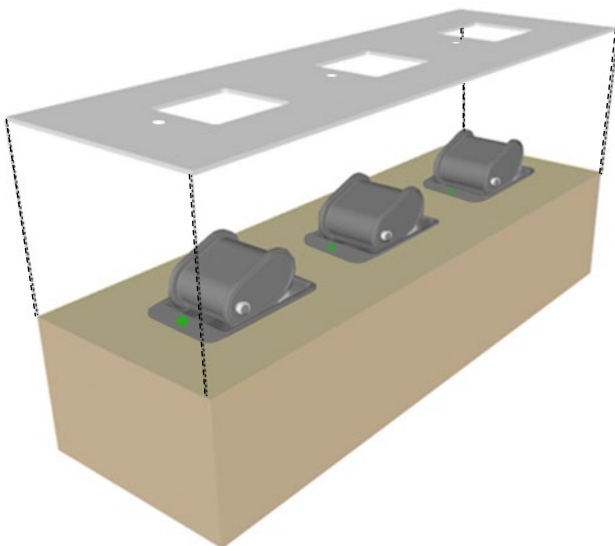


*4x Mounting Brackets screws included

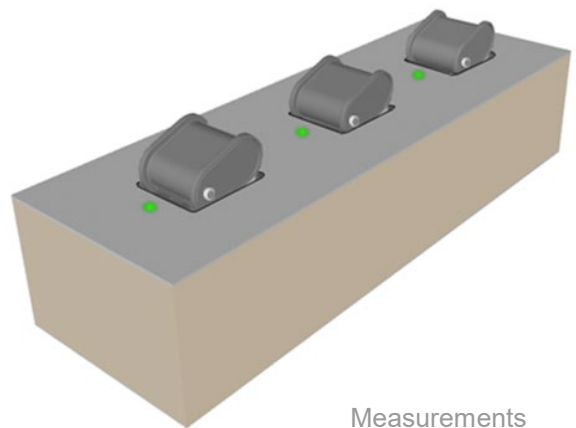
Panel Cutout



Panel Installation



Top Cover Panel Recommendation 3mm
***Optional by Customer**



Measurements
expressed in mm
Tolerance ± 0.5 mm

OWD MODULE – INTEGRATED READER Variations

The Future Is Here !

Open Watch Display MODULE - INTEGRATED Reader - FLAT

Article Number: MI-MOD4-0020-12AIR

OWD MODULE for OPEN WATCH presentation with PARALLEL cushion, for ANGLED INSTALLATIONS. Containing: Cushion Tub with high resistance Lock 0006, Angled Cushion Base with dual flip pins, AIR2MINI Controller for Access Control up to 300 users. Color grey - paintable, Cushion Base prepared for upholstery – upholstery NOT included!



Open Watch Display MODULE - INTEGRATED Reader – ANGLED

Article Number: MI-MOD4-0019-12AIR

OWD MODULE for OPEN WATCH presentation with ANGLED cushion, for HORIZONTAL INSTALLATIONS. Containing: Cushion Tub with high resistance Lock 0006, Angled Cushion Base with dual flip pins, AIR2MINI Controller for Access Control up to 300 users. Color grey - paintable, Cushion Base prepared for upholstery – upholstery NOT included!



Open Watch Display MODULE - INTEGRATED Reader - VERTICAL

Article Number: MI-MOD4-0013-12AIR

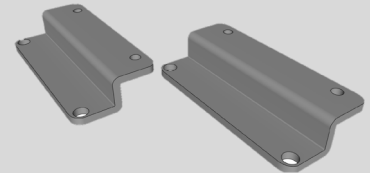
OWD MODULE for OPEN WATCH presentation with PARALLEL cushion, for VERTICAL INSTALLATIONS. Containing: Cushion Tub with high resistance Lock 0006, Angled Cushion Base with dual flip pins, AIR2MINI Controller for Access Control up to 300 users. Color grey - paintable, Cushion Base prepared for upholstery – upholstery NOT included!



OWD SET / MODULE – Accessories

OWD Mounting Brackets Set MI-ENC7-0005-22

Mounting Brackets for ALL types of OWD Sets and Modules,
Adapt to panel thickness of 2-22mm, follow mounting instructions.
*4 mounting screws included.



“Dummy Pins”

MI-ENC7-0005-57 OWD Single Latch 3D FLAT

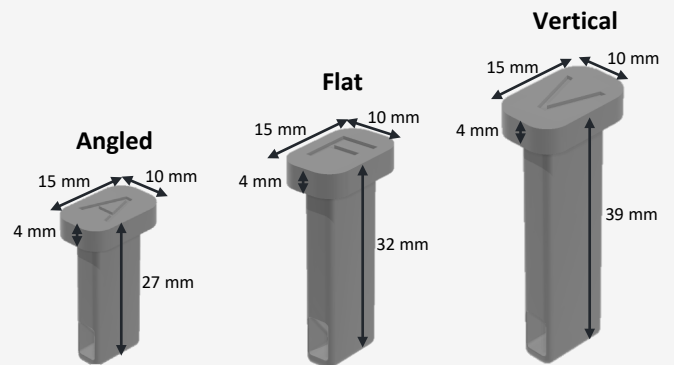
Pins used to replace a watch cushion for the time being it is out of the OWD, suitable for FLAT Tub Versions.

MI-ENC7-0005-56 OWD Single Latch 3D ANGLED

Pins used to replace a watch cushion for the time being it is out of the OWD, suitable for ANGLED Tub Versions.

MI-ENC7-0005-59 OWD Single Latch 3D VERTICAL

Pins used to replace a watch cushion for the time being it is out of the OWD, suitable for VERTICAL Tub Versions.



Adaptor Cable 15 cm AIR ->DEM MI-CAB0-AIR-DEM

For use of OWD Sets in combination with MEMO DEM Controllers, one Converter Cable per OWD required.



OWD SET / MODULE – Accessories

Power Supply 12 W AIR – Worldwide MI-PSY-0012-12AIR

Wall Plug Power Supply with 1m cable and INTERNATIONAL Wall Plug Set, Covering 90% of countries and provides highest number of security approvals for worldwide use.



Power Supply 40 W AIR – Europe Type F Connector MI-PSY-0040-12AIR

Notebook-style Power Supply 40W for MEMO AIR2-LINE with 1m cable, including Type F (Schuko) plug for Europe



Power Supply Diversion Cable 1:2 MI-CAB5-0012-01AIR 1:3 MI-CAB5-0013-01AIR 1:4 MI-CAB5-0014-01AIR

Supply 2 - 4 OWD devices with one power supply and select the appropriate diversion cable.

