

## AIR2ONE READERS

### Shapes for every type of Show Case



**READER TYPE III**



**READER TYPE V**



**READER TYPE VII**

### Performance

MEMO readers provide a **SOLUTION** for virtually any application with obvious advantages for mounting and operation but also **HIDDEN FEATURES** which reflect MEMOs experience in the market and our passion to make life easy for the installation and further operation.

MEMO readers can be **INTEGRATED** into the slim side of panels (Type V), they can be **FIXED** hidden inside and visual outside (all Types) and they provide possible solutions for metal in surrounding structures. Type VII is even small enough to fit in 45mm drillholes – and **ALL** types offer exceptional wide reading ranges.

**READER TYPE III  
EXTERNAL READER FLAT  
1m / 3m / 6m CABLE**

**Article number:  
MI-ANT3-0001-01AIR  
MI-ANT3-0001-03AIR  
MI-ANT3-0001-06AIR**



## Technical Data

<b>Dimensions (LxWxH)</b>	100 x 100 x 7,5 (mm)
<b>Cable Length</b>	1m / 3m / 6m
<b>Connector</b>	Coaxial MCX Male
<b>Temperature Range</b>	-10°C to 50°C
<b>Protection Class</b>	IP44

## Functions

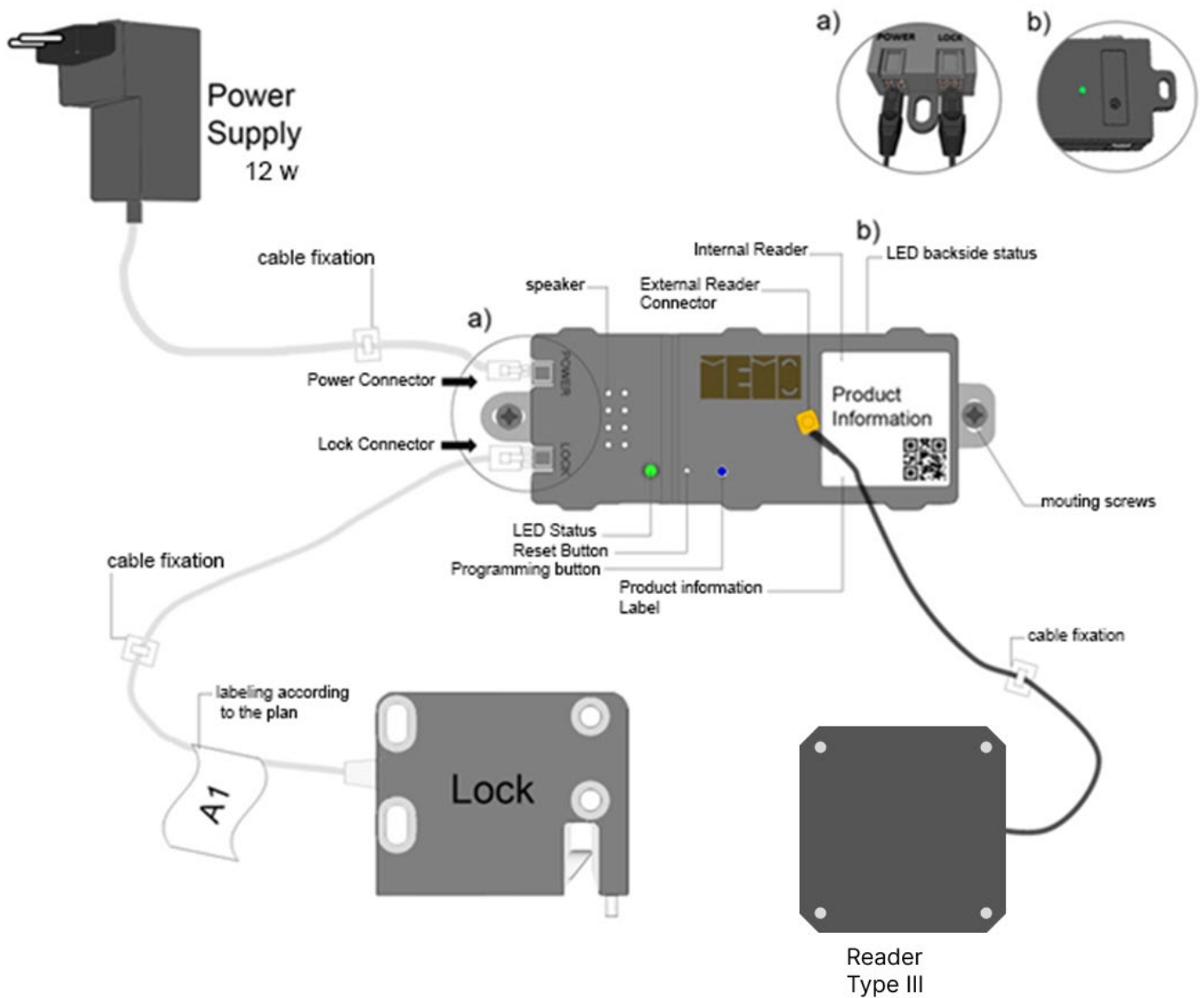
<b>Operation through Wood, Plastic, Glass etc.</b>	YES
<b>Operation through any Metal or Mirror</b>	NO
<b>LED</b>	NO

## Reader Range

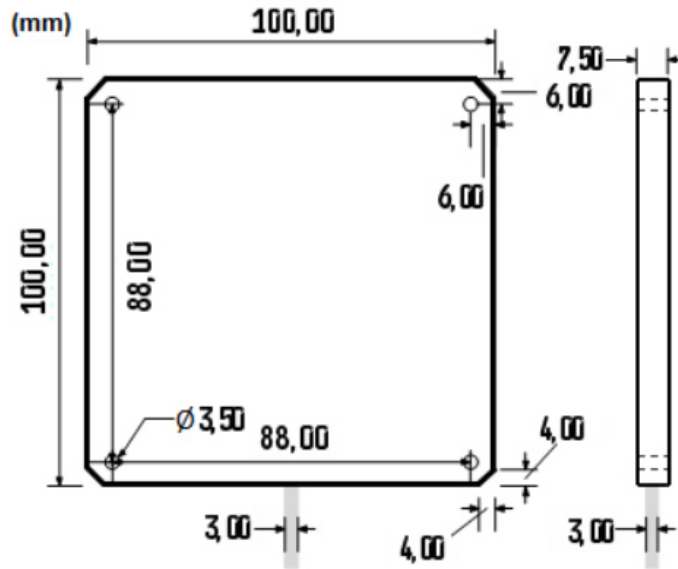
<b>CHIP Key Card</b>	4cm (3cm using 2 Readers) – through the air *
<b>CHIP Key Ring</b>	3cm (3cm using 2 Readers) – through the air *

\* Other materials between Reader and CHP may reduce the reading range; field tests are mandatory.

## Connections – READER TYPE III

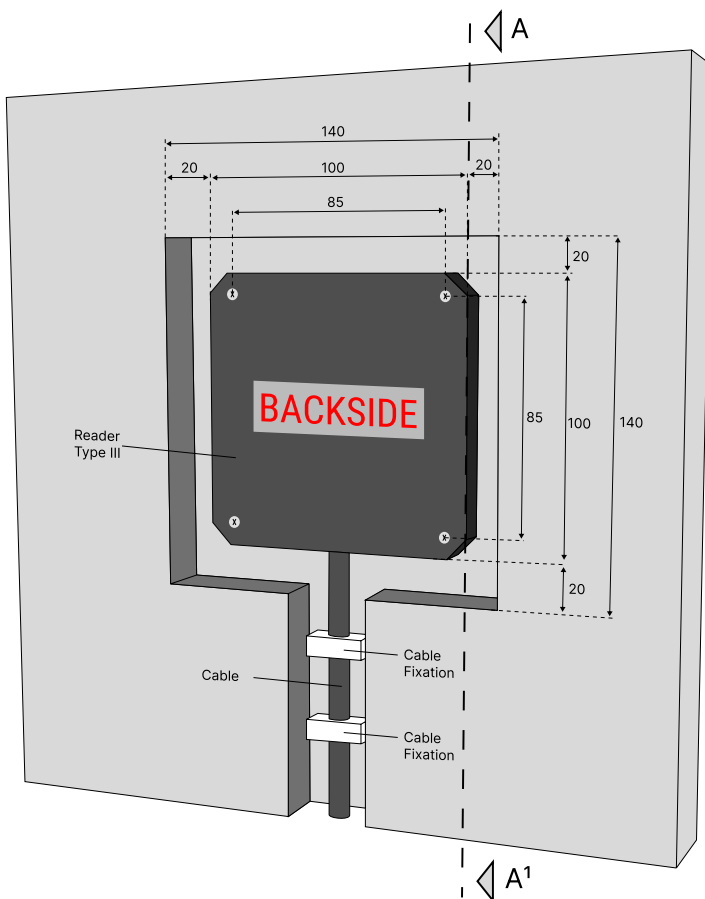


## Dimensions – READER TYPE III



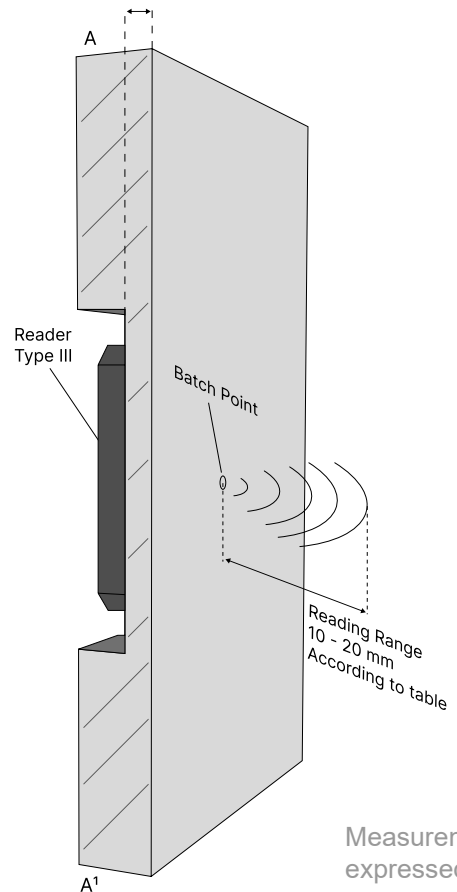
## Installation – READER TYPE III

### Back of Panel



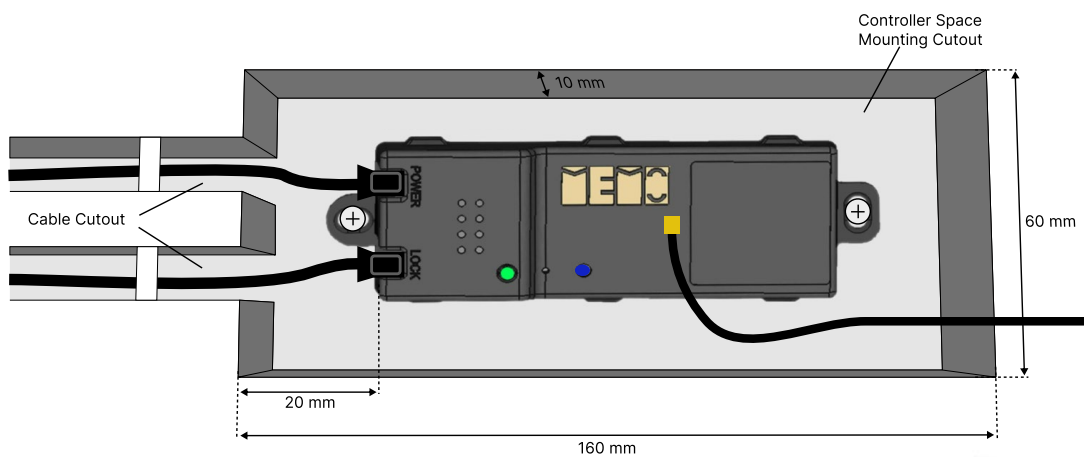
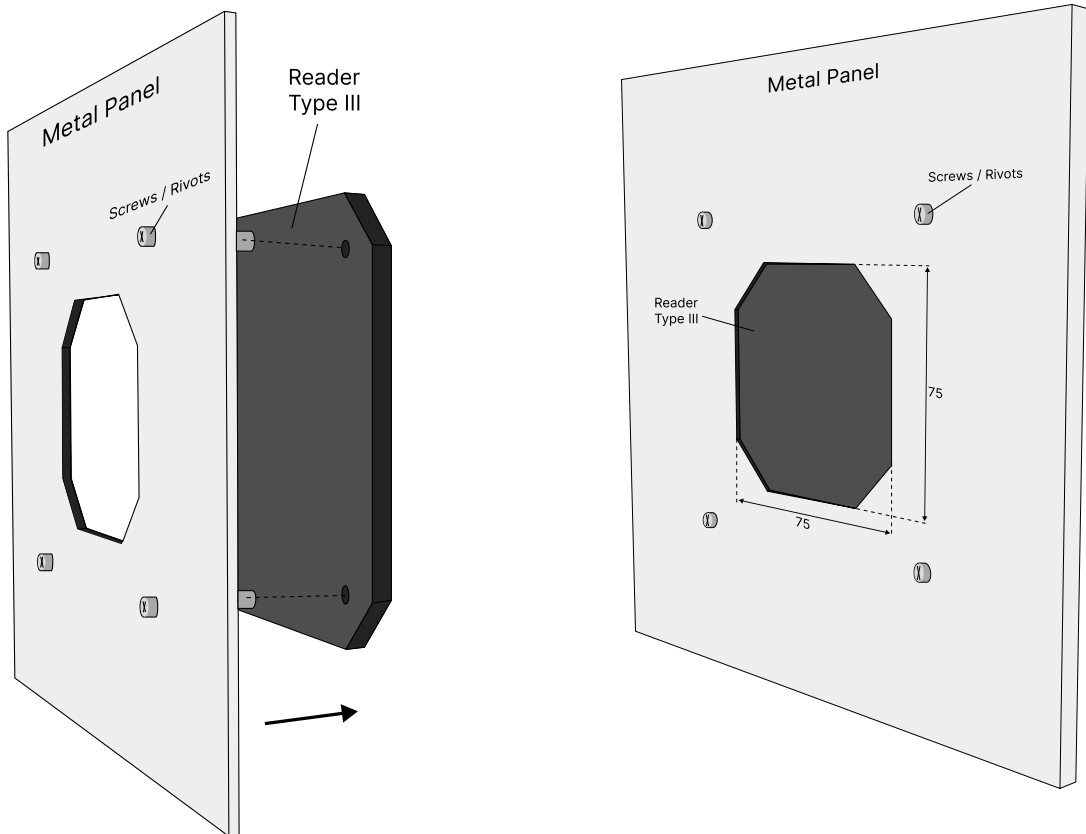
### Side/Front of Panel

Maximum 10 mm  
Recommended 5 mm

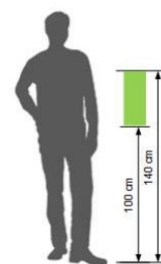
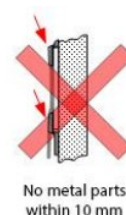


Measurements expressed in mm

# Mounting Recommendations With Metal Around READER TYPE III

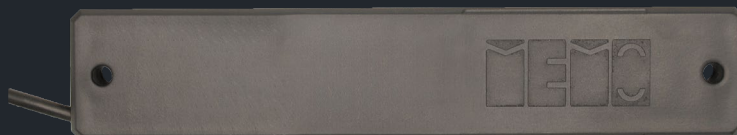


Measurements expressed in mm



**READER TYPE V  
EXTERNAL READER FLAT  
1m / 3m / 6m CABLE**

**Article number:  
MI-ANT5-0001-01AIR  
MI-ANT5-0001-03AIR  
MI-ANT5-0001-06AIR**



## Technical Data

<b>Dimensions (LxWxH)</b>	120 x 24 x 8 (mm)
<b>Cable Length</b>	1m / 3m / 6m
<b>Connector</b>	Coaxial MCX Male
<b>Temperature Range</b>	-10°C to 50°C
<b>Protection Class</b>	IP44

## Functions

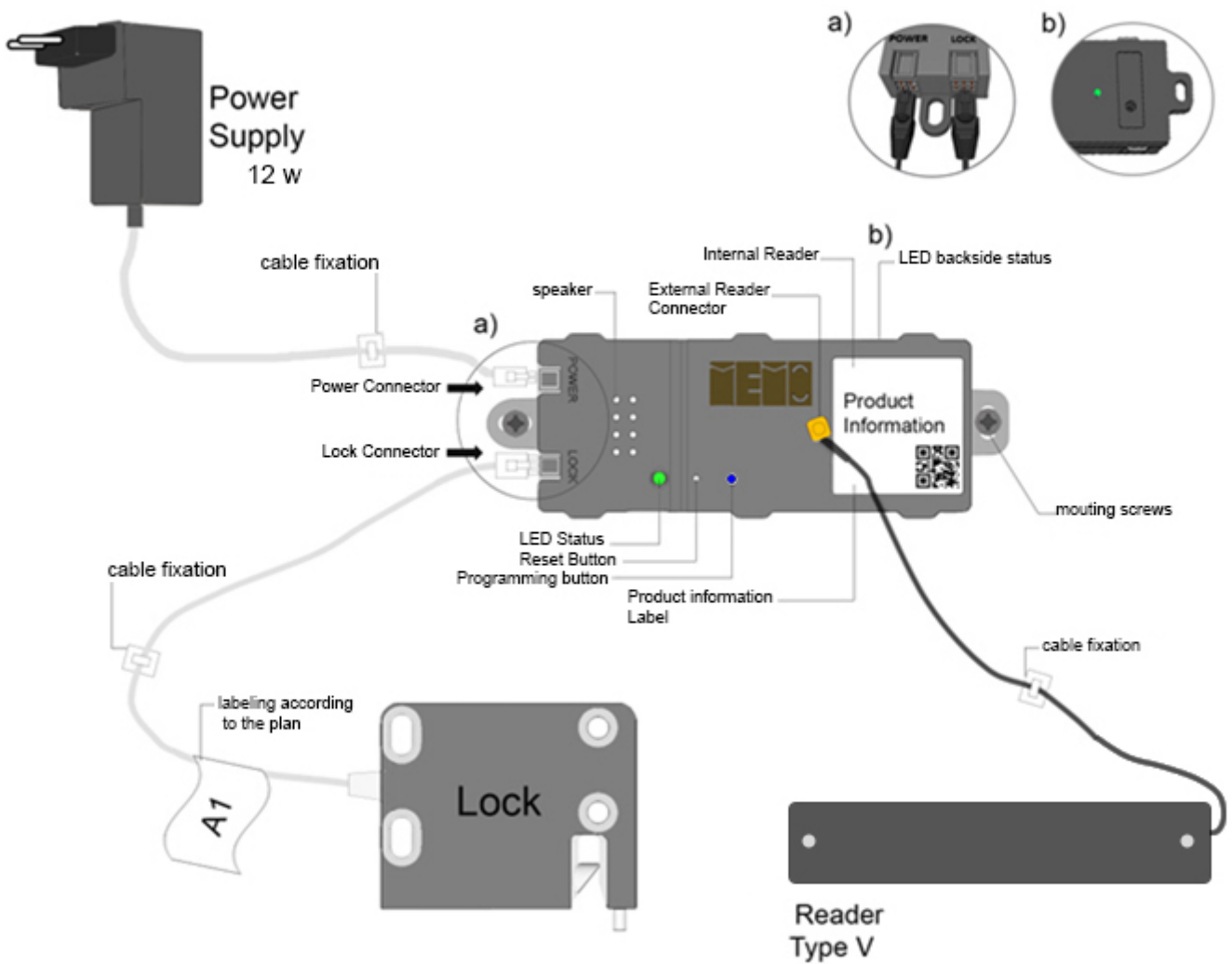
<b>Operation through Wood, Plastic, Glass etc.</b>	YES
<b>Operation through any Metal or Mirror</b>	NO
<b>LED</b>	NO

## Reader Range

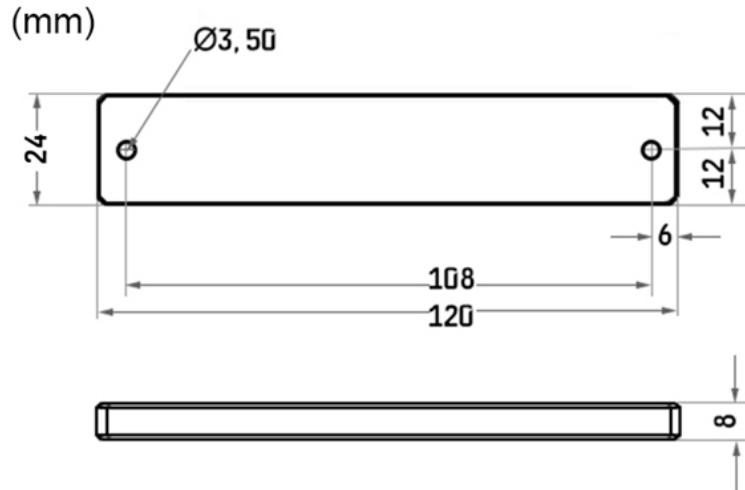
<b>CHIP Key Card</b>	4cm (3cm using 2 Readers) – through the air *
<b>CHIP Key Ring</b>	3cm (3cm using 2 Readers) – through the air *

\* Other materials between Reader and CHP may reduce the reading range; field tests are mandatory.

## Connections – READER TYPE V

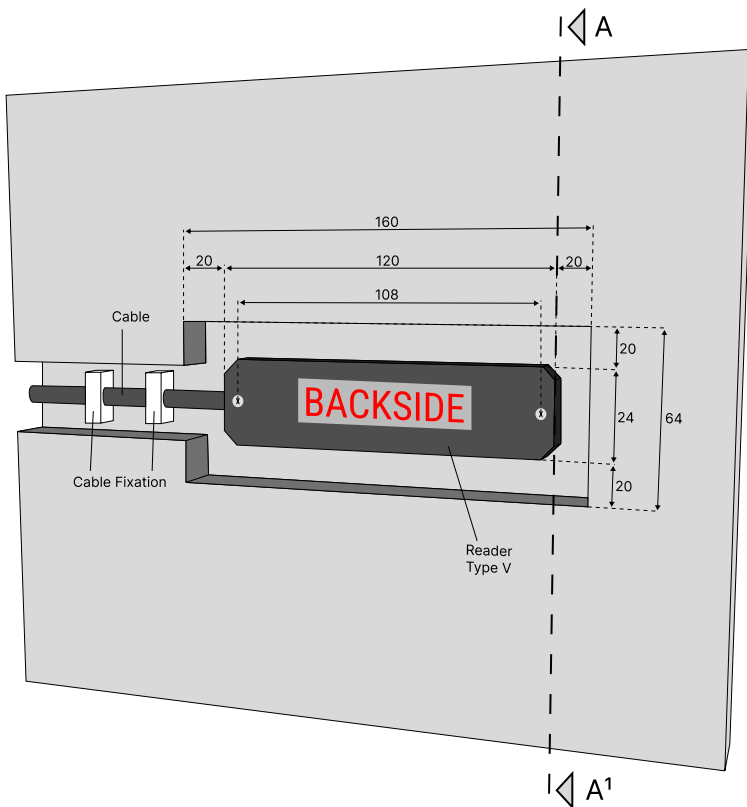


## Dimensions – READER TYPE V

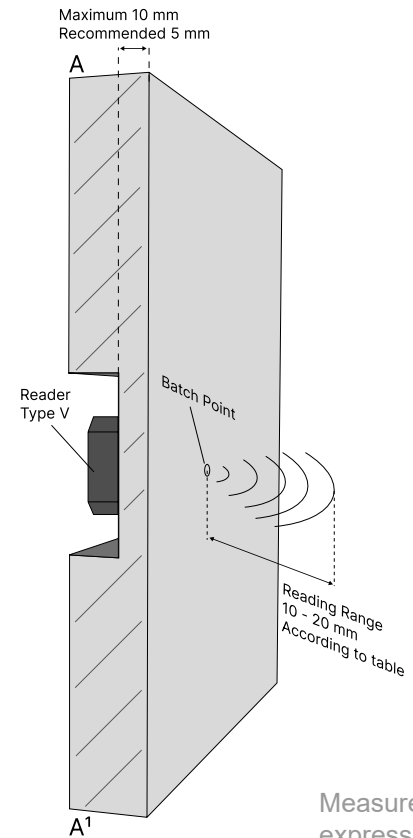


## Installation – READER TYPE V

### Back of Panel

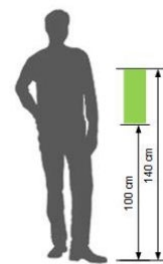
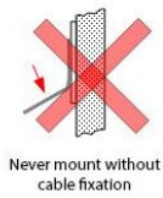
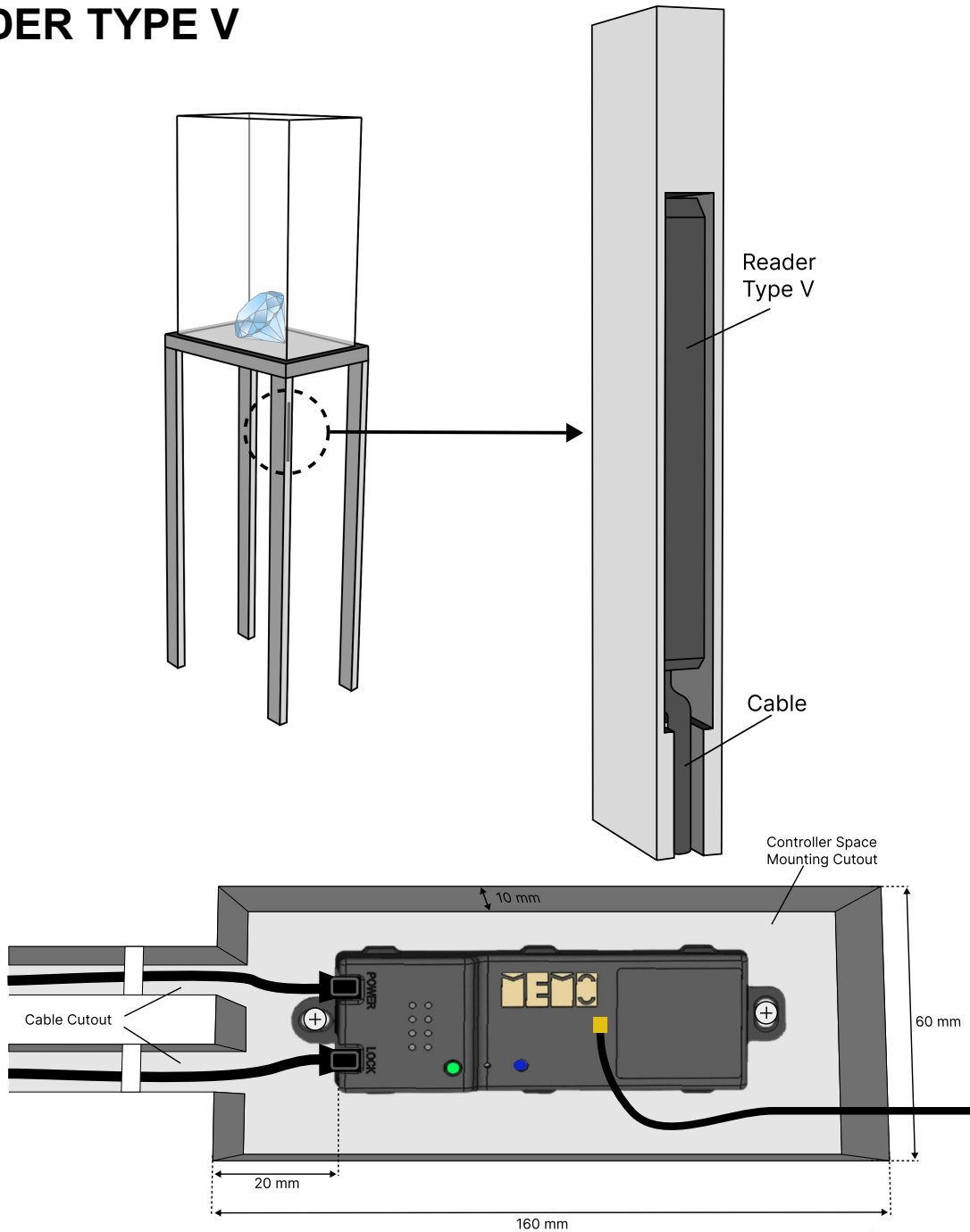


### Side Section of Panel





## Mounting Recommendations Inside Slim Furniture Leg READER TYPE V



## READER TYPE VII (LED) EXTERNAL READER ROUND PLANE 1m / 3m / 6m CABLE

Article number:  
MI-ANT7-0000-01AIR  
MI-ANT7-0000-03AIR  
MI-ANT7-0000-06AIR



## Technical Data

Dimensions (DxH)	34,5 diam. x 8,3 (mm)
Cable Length	1m / 3m / 6m
Connector	Coaxial MCX Male
Temperature Range	-10°C to 50°C
Protection Class	IP44

## Functions

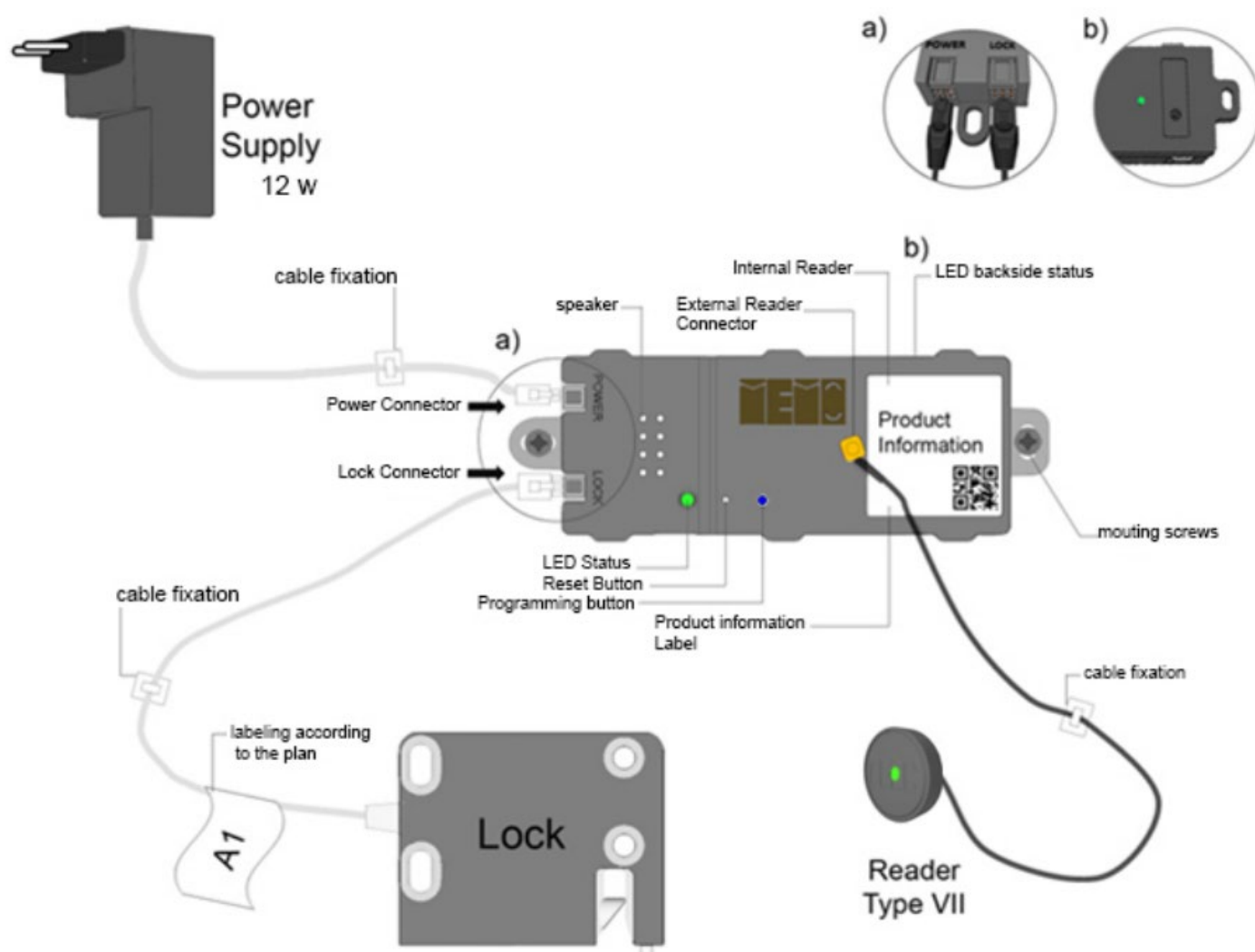
Operation through Wood, Plastic, Glass etc.	YES
Operation through any Metal or Mirror	NO
LED	Yes

## Reader Range

CHIP Key Card	4cm (3cm using 2 Readers) – through the air *
CHIP Key Ring	3cm (3cm using 2 Readers) – through the air *

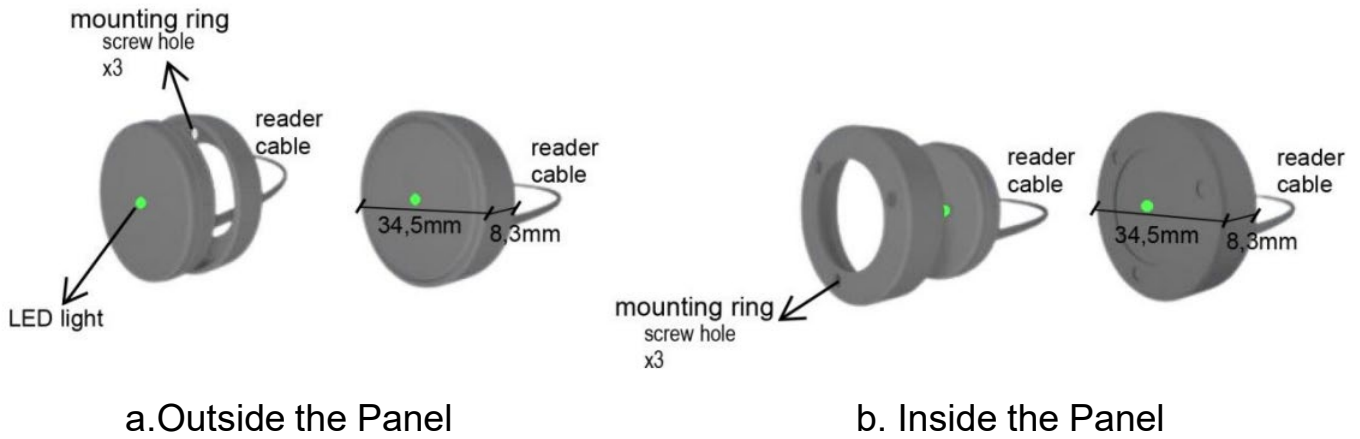
\* Other materials between Reader and CHP may reduce the reading range; field tests are mandatory.

## Connections – READER TYPE VII (LED)

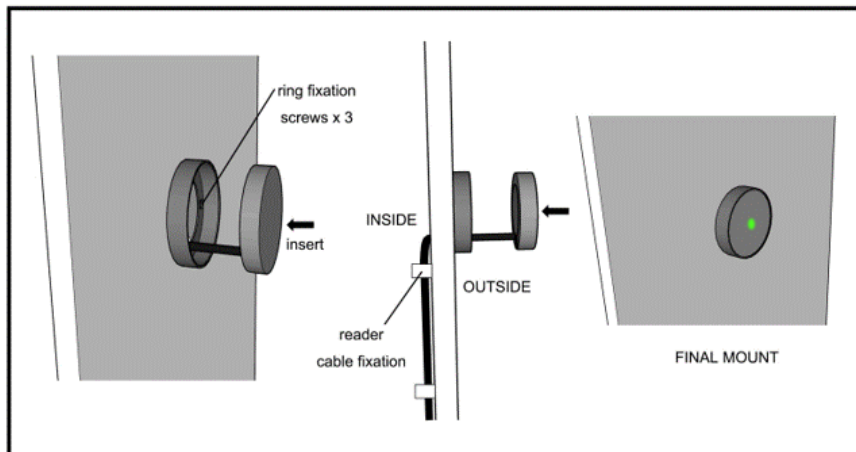


Copyright © 2017 MEMO International Ltd., F-17 Mosta Technopark, Mosta 3000, MALTA  
www.memolocks.com, Telephone: +356 21492262, E-mail: support@memo.co.at

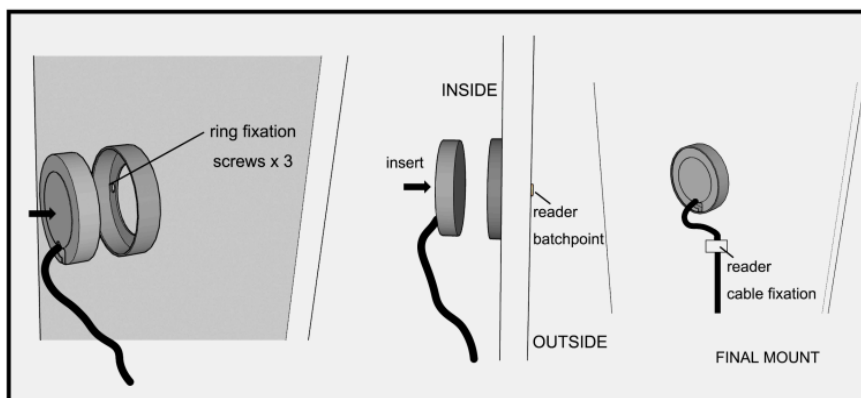
## Dimensions – READER TYPE VII (LED)



## Installation – READER TYPE VII (LED) Outside The Panel

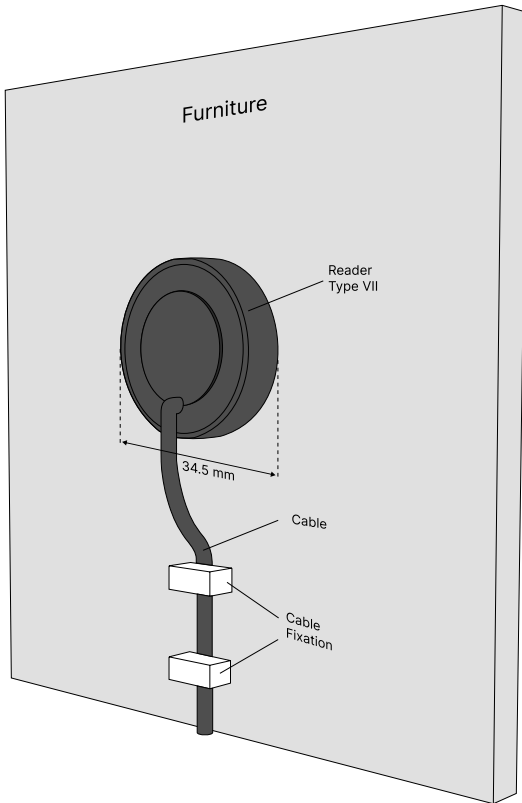


## Inside The Panel

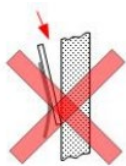
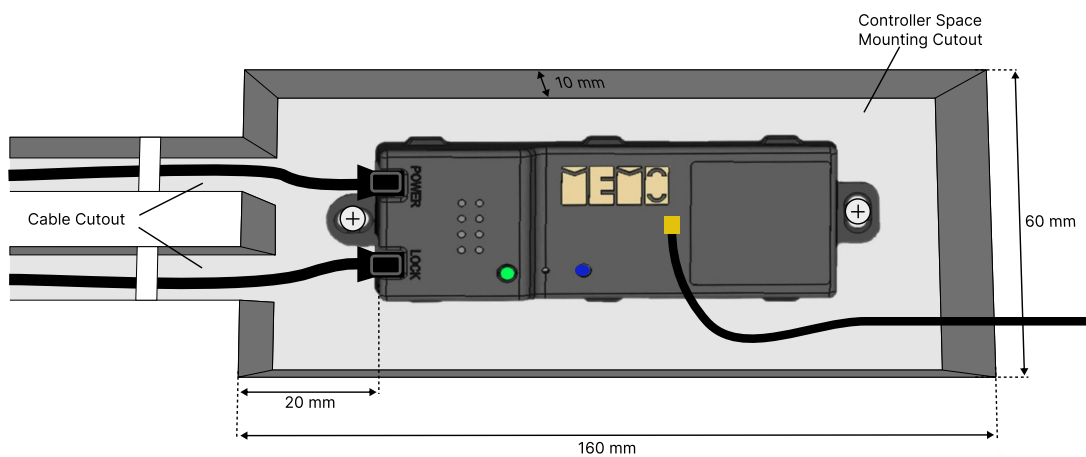
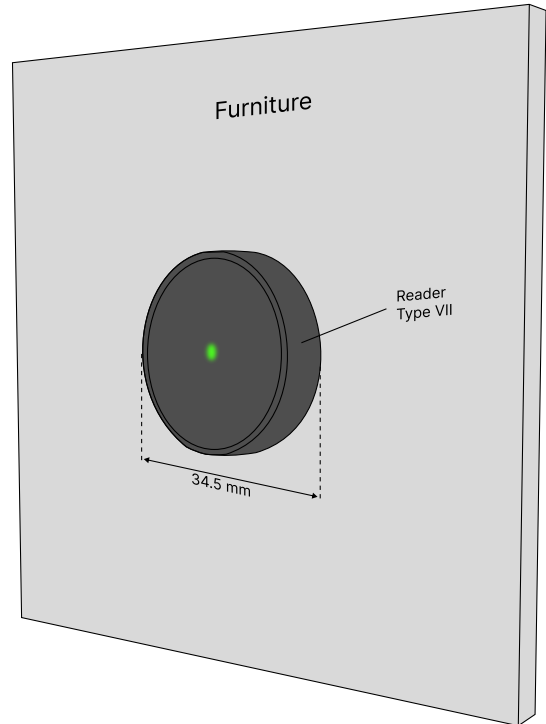


## Mounting Recommendations – READER TYPE VII (LED)

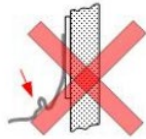
### Inside the panel



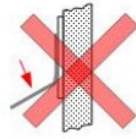
### Outside the panel



Reader must be fixed flat and close



Do NOT bend cable sharper than 10 mm



Never mount without cable fixation



No metal parts within 10 mm

